

CABINET & FURNITURE LEVELERS





CAMAR®
the art of innovation

CABINET & FURNITURE LEVELERS



Cabinet Levelers

CAMAR® Levelers are made to give you a precise adjustment of your cabinets.

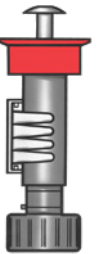
We offer a variety of leveler heights to ensure we have the application you need.

All **CAMAR®** Plastic levelers are made of virgin ABS material which provide extra strength and stability, while the metal levelers are made of Steel and/ or Zinc.

Most levelers can be adjusted from the inside of the cabinet after the installation is complete.

CAMAR® levelers are secured by using press fit mounting which provide each leveler extra strength and stability - up to 330 lbs. load capacity per leveler + socket!

Sockets



We carry various socket mounting solutions which include; Knock in, Steel hollow-bolt, 4mm Dowel mount and Screw on versions.

Like our Levelers, all of our **CAMAR®** Plastic sockets are made out of ABS and the Metal sockets are made of Steel.



Toe-kick Clips

Toe-Kick Clips are used to attach your Toe-kick to the cabinet levelers. We offer a solution for wood, plastic, or aluminum toe-kicks.

Available in 2-finger or 4-finger in versions of screw mount, 4mm dowel, adhesive, and slide nut mount.

Polybags

With our polybags, you get everything you need to level a cabinet in 1 bag.

Custom polybags are available, please inquire Toll Free at 800-222-6941 or E-mail us at orders@petermeier.com

Furniture Levelers

Furniture levelers from **CAMAR®**, perfect for entertainment and built-in shelving units.

CAMAR® Levelers offer a higher load capacity than conventional levelers and a properly installed leveler won't bend when the furniture is moved.

TABLE OF CONTENTS

6 SMILE SYSTEM	Page	14 TOE-KICK CLIPS	Page	21 POLYBAGS	Page
450 - Smile Sys. Leveler	07	228 - 2-Finger - Screw Mount	14	400-025B	21
809 - Smile Sys. Adjustment Tool	07	228 - 2-Finger - Adhesive	14	400-026B	21
809 - Smile Sys. Extension Tool	07	228 - 2-Finger - 4mm Groove	14	400-027B	21
8 PLASTIC LEVELERS		202 - 4-Finger - Adhesive	15	400-028B	21
415 - ABS Plastic Leveler	08	202 - 4-Finger - 4mm Groove	15	400-350	22
418 - ABS Plastic Leveler	08	202 - 4-Finger - Screw Mount	15	400-029BS	22
09 PLASTIC SOCKETS		228 - 2-Finger - Slide Nut	16	400-031B	22
840 - ABS Socket - Hollow Bolt	09	226 - 2-Finger - Twist-Lock	16	400-050B	22
840 - ABS Socket - 10mm Dowel	09	226 - 2-Finger - End-Feed	16	400-055B	23
840 - ABS Socket - 15mm Dowel	10	235 - Easy Toe-Kick Clip	17	400-056B	23
840 - ABS Socket - Knock In	10	230 - Toe-Kick Handle	17	400-415B	23
840 - ABS Socket - Wood Screw	11	18 SPECIALTY LEVELERS		400-418B	23
840 - ABS Socket - Triangle Wood Screw	11	446 - ABS Plastic Leveler and Socket Combo	18	24 FURNITURE LEVELERS	
840 - ABS Socket - Triangle 10mm Dowel	11	478 - ABS Foldable Plastic Leveler	18	306 - 12mm Concealed Levelers	24
12 METAL LEVELERS		27014754 - Leveler and Socket Combo with Hollow Bolt	19	304-14-A2 - Concealed Leveler	25
340 - Metal Leveler	12	27015644 - Leveler and Socket Combo - Knock In	19	304-50-A2 - Concealed Leveler	25
345 - Metal Leveler	12	27015054 - Toe-Kick Clip	19	300-Z2-Z2 - Heavy Duty Leveler	25
350 - Metal Leveler	12	27015214 - Toe-Kick Clip	19	300-Z2-A2 - Regular Duty Leveler	26
13 METAL SOCKETS		20 MISC.		302-P2-RA - Economy ABS Leveler	26
841 - ABS Socket for Metal Leveler	13	Screwdriver	20	26 COMPATIBILITY CHART	
830 - Metal Socket	13	Hollow Bolt	20	Compatibility Chart	27
835 - Metal Socket	13	Cover Caps, 25mm	20		



Note:
Please view our compatibility chart on page 27, or www.petermeier.com to match your preferred levelers with the correct sockets.

CONTACT INFO
1255 South Park Dr.
Kernersville, NC 27284 USA
Tel. 336-996-7774
Fax 336-996-1812
Toll Free 800-222-6941
E-mail: info@petermeier.com
www.petermeier.com

The CAMAR® Leveling System

- The CAMAR® Leveling System offers builders and installers distinct advantages over conventional cabinet and furniture construction.

Faster Installation

- Installation can be as much as 66 percent of a job's total cost. The CAMAR® Leveling System eliminates the need to toe notch the panels, saving an extra step and saving builders valuable time. With straight cuts, panels can be used for left or right placement, allowing for greater quality control.

More Efficient Use of Materials

- With no toe notches to cut, builders can maximize CNC nesting output and panel-cutting yield when using a uniform cutting pattern and get six panels out of a 4' x 8' panel instead of the conventional five. That's 20% more! Faster, easier and less handling required.

Saves on Shipping

- Cabinets using the CAMAR® System Levelers have flat bottoms without a toe notch, allowing more cabinets to be loaded into a truck – up to 12% more cabinets, in fact! That means saving 12% on shipping costs!

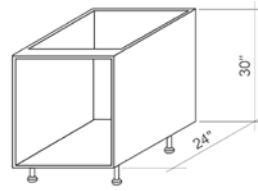
Higher Quality Installations

- With adjustable height control, the CAMAR® Leveling System ensures that cabinets are always level no matter what the slant of the floor below. No need for shimming and no problems with instability.

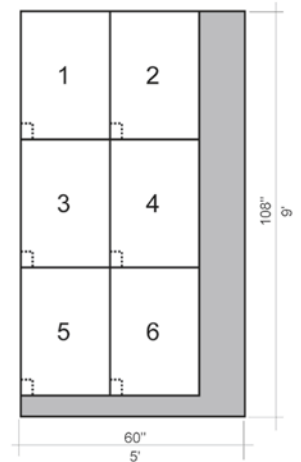
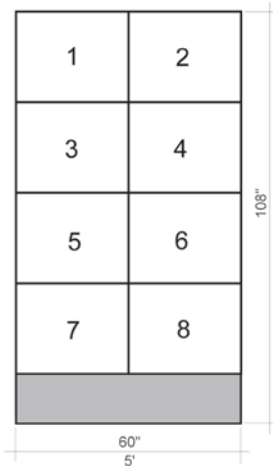
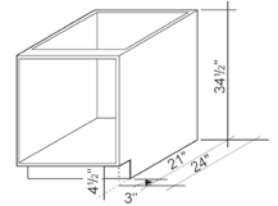
5' x 9' SHEET YIELD

(Gain of 2 end panels)

No Toe-Kick Notch



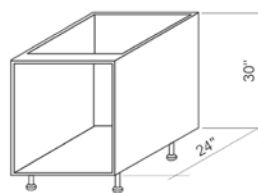
With Toe-Kick Notch



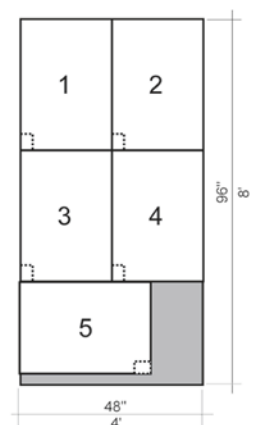
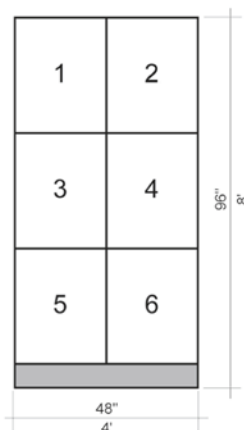
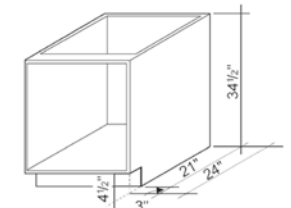
4' x 8' SHEET YIELD

(Gain of 1 end panel)

No Toe-Kick Notch



With Toe-Kick Notch



Easier for Builders

- Water pipes, electrical wiring, exhaust ducts and other plumbing can be easily installed under the cabinets.

Completely Adjustable

- Levelers can be adjusted up to 2-1/2". Adjustment can be done from the inside of the cabinet through a hollow bolt or directly on the slotted leveler foot in front of the cabinet.

Easier for Installers

- Pre-Installed sockets can be used as skid plates to slide the cabinet from one location to the next. This prevents potential damage on the corners when shipping or handling during installation.

Prevents Water Damage

- Since the cabinets rest on the **CAMAR**® System Levelers and never directly touch the floor, they are protected from possible warping and water damage from flooding or mopping.

Toe-Kick Installation

- Floating side-to-side toe-kick adjustments can be achieved with our Toe-Kick Clips for a seamless installation experience.

Consistency

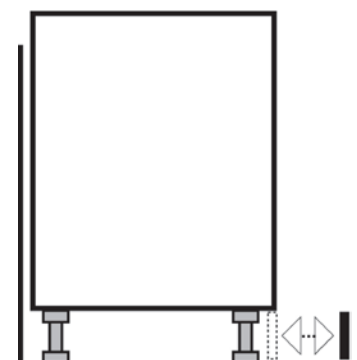
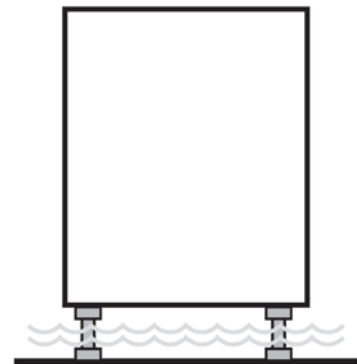
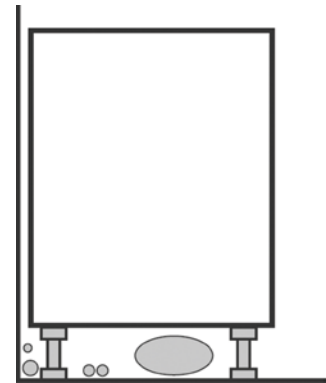
- Each cabinet leveler is adjusted to a break-away tab on the cabinet leveler at the factory, ensuring a neutral height starting position on all cabinet levelers.

Reliability

- Made out of metal or long-lasting high impact ABS plastic.

Stability

- Firm fitting connection of the cabinet leveler to the socket ensures stability and will not fall out during installation.

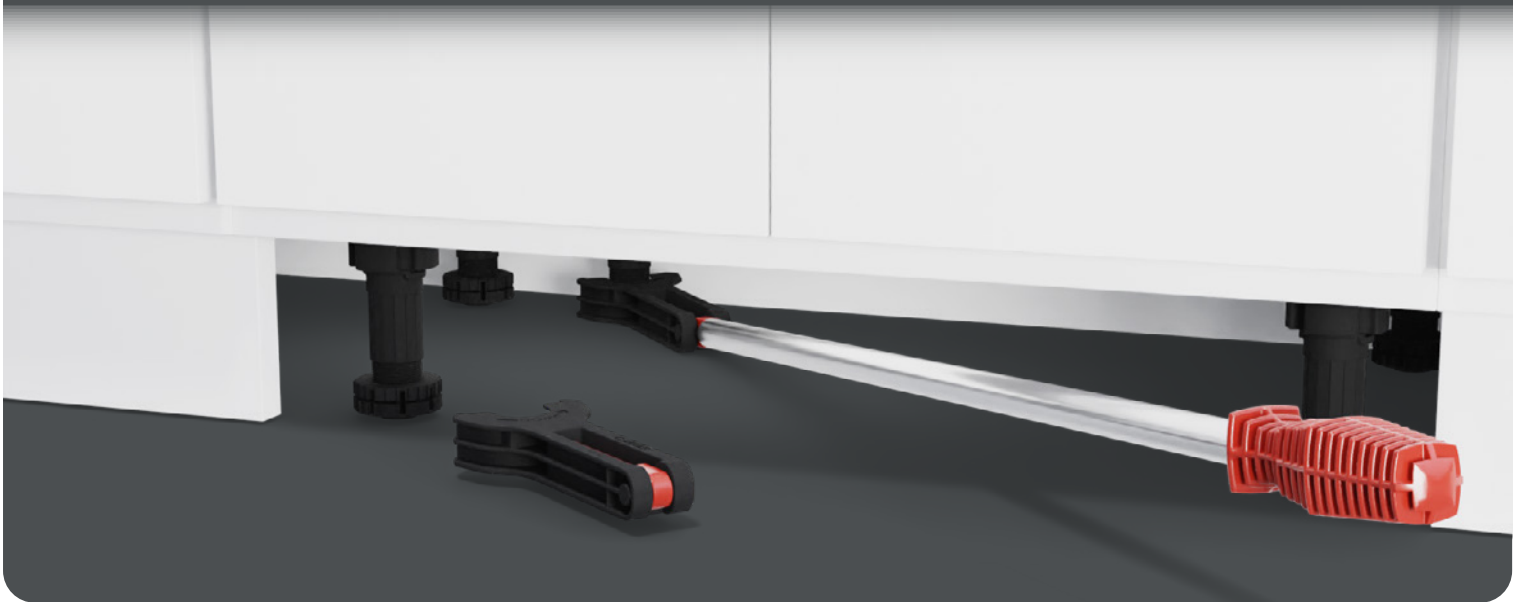


THE SMILE SYSTEM

Floors are rarely level. This creates challenges and often requires the installer to crawl flat on the floor to make the necessary adjustments. The New Smile System eliminates these obstacles with the use of an Adjustment Tool which can be conveniently operated by hand with or without extension handle to save installation time. The new patented foot design provides an adjustment of the cabinet up to 1".



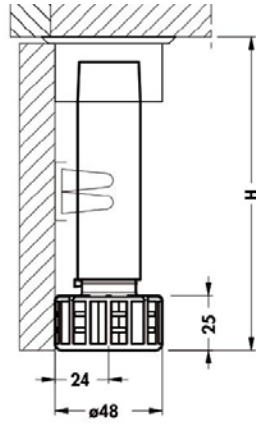
The Smile base cabinet leveler system offers innovative adjustment techniques suitable for all toe kick heights.



Patented Foot Design



Simply rotate for UP or DOWN Adjustment



450 SMILE SYSTEM - LEVELER

CAMAR®

- Easiest base cabinet leveling adjustment system in the industry
- Made out of a long-lasting high impact ABS plastic
- Three heights to choose from: 3-3/4" to 4-3/4", 4-1/8" to 5-1/8" and 4-7/8" to 5-7/8"
- Compatible with our current line of ABS plastic sockets
- Two-piece leveler (foot and shaft)
- Total adjustment 1"
- 330 Lbs load capacity per leveler with socket
- 100 per box or Bulk box of 400



SMILE SYSTEM - ADJUSTMENT TOOL

CAMAR®

- The Smile System Adjustment Tool creates simplicity in making needed base cabinet leveling adjustments
- Simple 180° rotation of the tool allows for up or down adjustments
- Made from the same long-lasting high impact ABS plastic as our levelers
- Built-in handle adapter opens to attach the extension tool for hard to reach places
- Easy to carry and stow away.

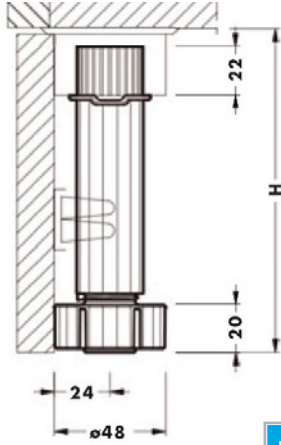


SMILE SYSTEM - EXTENSION TOOL

CAMAR®

- The Smile System Extension attaches to the Adjustment Tool to help adjust cabinet levelers in hard to reach space
- Made from aluminum and ABS plastic
- 28" Overall length

Description	Item Number	Height	Box Qty
SMILE SYSTEM Plastic Leveler	450-10-TT	3-3/4" - 4-3/4"	100
SMILE SYSTEM Plastic Leveler (BULK)	450-10-TTZ	3-3/4" - 4-3/4"	400
SMILE SYSTEM Plastic Leveler	450-11-TT	4-1/8" - 5-1/8"	100
SMILE SYSTEM Plastic Leveler (BULK)	450-11-TTZ	4-1/8" - 5-1/8"	400
SMILE SYSTEM Plastic Leveler	450-12-TT	4-1/2" - 5-1/2"	100
SMILE SYSTEM Plastic Leveler (BULK)	450-12-TTZ	4-1/2" - 5-1/2"	400
SMILE SYSTEM Plastic Leveler	450-13-TT	4-7/8" - 5-7/8"	100
SMILE SYSTEM Plastic Leveler (BULK)	450-13-TTZ	4-7/8" - 5-7/8"	400
SMILE SYSTEM Plastic Leveler	450-15-TT	5-3/4" - 6-3/4"	100
SMILE SYSTEM Plastic Leveler (BULK)	450-15-TTZ	5-3/4" - 6-3/4"	400
SMILE SYSTEM, Adjustment Tool	809-48-TT	50	50
SMILE SYSTEM, Aluminum Extension Handle	809-60-TT	50	50



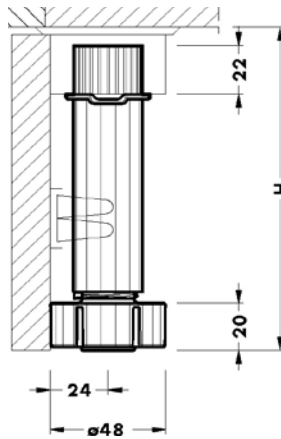
415 ABS PLASTIC LEVELER



- Two-piece leveler (foot and shaft)
- Flat, black ABS foot and shaft
- Total adjustment 1"
- 330 Lbs load capacity per leveler with socket
- 100 per box or Bulk box of 400



Description	Item Number	Height	Box Qty
Plastic Leveler	415-08-P2	3" - 4"	100
Plastic Leveler (BULK)	415-08-P2Z	3" - 4"	400
Plastic Leveler	415-10-P2	3-3/4" - 4-3/4"	100
Plastic Leveler (BULK)	415-10-P2Z	3-3/4" - 4-3/4"	400
Plastic Leveler	415-11-P2	4-1/8" - 5-1/8"	100
Plastic Leveler (BULK)	415-11-P2Z	4-1/8" - 5-1/8"	400
Plastic Leveler	415-13-P2	4-7/8" - 5-7/8"	100
Plastic Leveler (BULK)	415-13-P2Z	4-7/8" - 5-7/8"	400



418 ABS PLASTIC LEVELER



- Two-piece leveler (foot and shaft)
- Flat, black ABS foot and shaft
- Total adjustment 2-1/2"
- 330 Lbs load capacity per leveler with socket
- 100 per box or Bulk box of 400

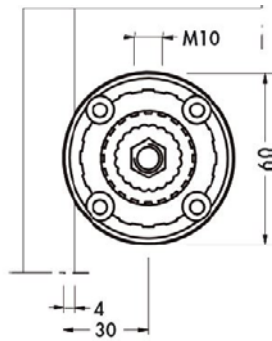
**Note: Using 418-10-P2 with socket 840-00-R1 will only allow a minimum height of 4-5/8" - 6-1/4"



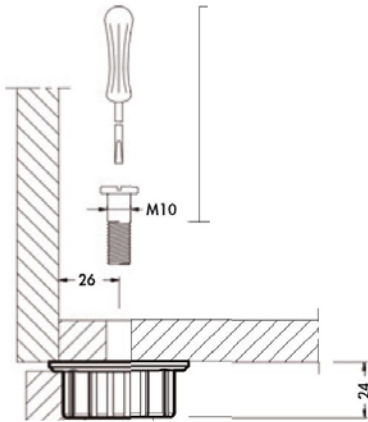
Description	Item Number	Height	Box Qty
Plastic Leveler	**418-10-P2	3-3/4" - 6-1/4"	100
Plastic Leveler (BULK)	**418-10-P2Z	3-3/4" - 6-1/4"	400
Plastic Leveler	418-13-P2	5" - 7-1/2"	100
Plastic Leveler (BULK)	418-13-P2Z	5" - 7-1/2"	400

840 ABS SOCKET - HOLLOW BOLT

CAMAR®



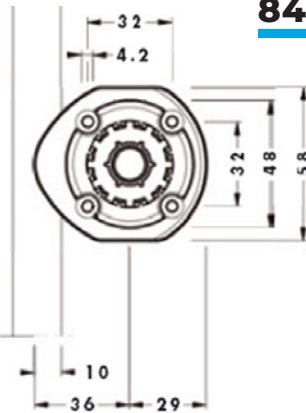
- Hollow bolt mount
- M10 Hollow bolt included
- Cover caps available
- Strongest way to mount a socket
- 100 per box or Bulk box of 400



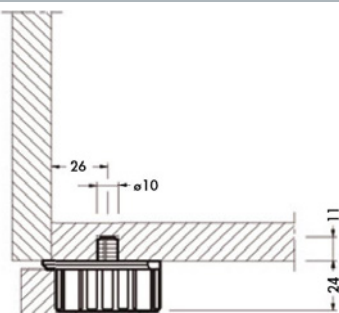
Description	Item Number	Mount	Box Qty
Plastic Socket with Hollow Bolt	840-00-R1	Hollow Bolt	100
Plastic Socket with Hollow Bolt (Bulk)	840-00-R1Z	Hollow Bolt	400

840 ABS SOCKET - 10MM DOWEL MOUNT

CAMAR®



- 10mm Expandible knock in dowel mount
- V plate design for extra support
- Can be drilled with standard European drill machine
- 100 per box or Bulk box of 400

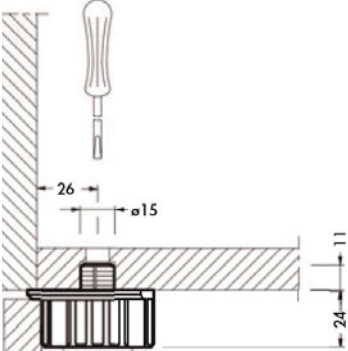
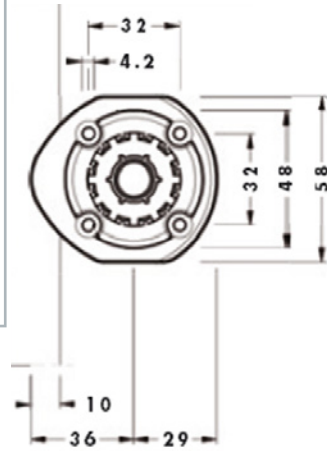


Description	Item Number	Mount	Box Qty
Plastic Socket, Knock In Dowel	840-10-P2	Dowel / Screw	100
Plastic Socket, Knock In Dowel (Bulk)	840-10-P2Z	Dowel / Screw	400

840 ABS SOCKET - 15MM DOWEL MOUNT

CAMAR®

- 15mm Expandible knock in dowel mount
- V plate design for extra support
- Can be drilled with standard European drill machine
- 100 per box or Bulk box of 400

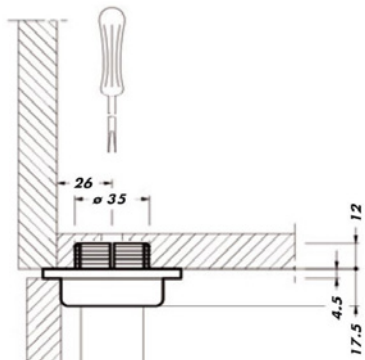
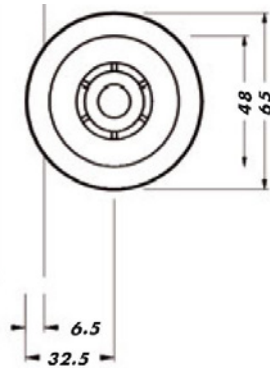


Description	Item Number	Mount	Box Qty
Plastic Socket, Knock In Dowel	840-15-P2	Dowel / Screw	100
Plastic Socket, Knock In Dowel (Bulk)	840-15-P2Z	Dowel / Screw	400

840 ABS SOCKET - KNOCK IN

CAMAR®

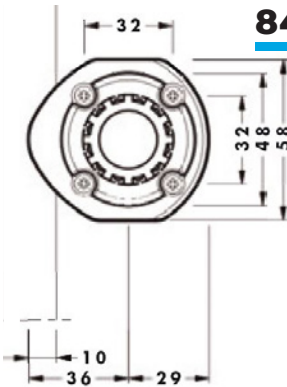
- Knock in design
- 35mm Socket
- Can be drilled with standard European drill machine
- 100 per box or Bulk box of 400



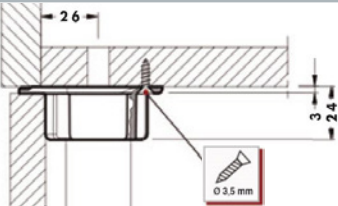
Description	Item Number	Mount	Box Qty
Plastic Socket, 35mm Knock In	840-F5-00	Knock In	100
Plastic Socket, 35mm Knock In (Bulk)	840-F5-00Z	Knock In	400

840 ABS SOCKET - WOOD SCREW MOUNT

CAMAR®



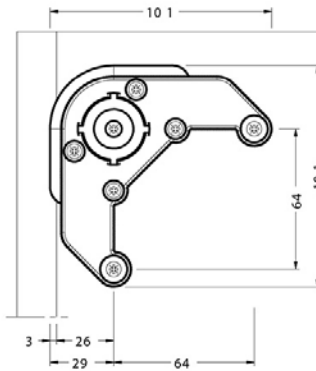
- Wood screw mount
- 3.5mm Wood screw (Not Included)
- V plate design for extra support
- 100 per box or Bulk box of 400



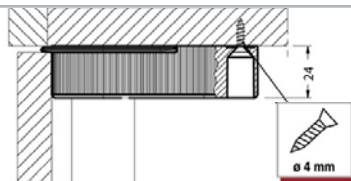
Description	Item Number	Mount	Box Qty
Plastic Socket, Wood Screw Only	840-H5-P2	Wood Screw	100
Plastic Socket, Wood Screw Only (Bulk)	840-H5-P2Z	Wood Screw	400

840 ABS SOCKET - WOOD SCREW MOUNT

CAMAR®



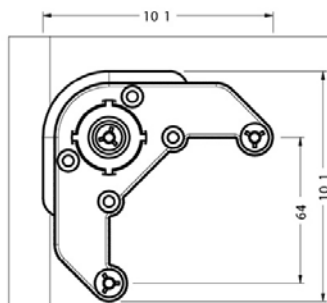
- Wood screw mount
- 4mm Wood screw (Not Included)
- Triangle shape allows for easy alignment on cabinet base panel
- Increased stability with multiple points of attachment
- For corner applications
- 100 per box



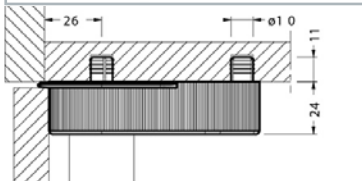
Description	Item Number	Mount	Box Qty
Plastic Triangle Socket, Wood Screw Only	840-X0-P2	Wood Screw	100
Plastic Triangle Socket, Wood Screw Only (Bulk)	840-X0-P2Z	Wood Screw	200

840 ABS SOCKET - 10MM DOWEL MOUNT

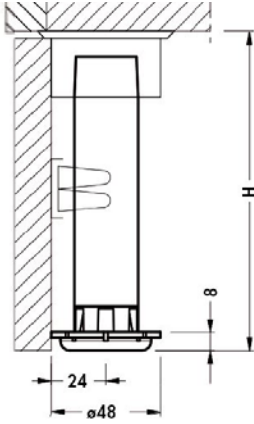
CAMAR®



- (x3) 10mm Expandable knock in dowel mount
- Triangle shape allows for easy alignment on cabinet base panel
- Increased stability with multiple points of attachment
- For corner applications
- 100 per box



Description	Item Number	Mount	Box Qty
Plastic Triangle Socket, 10mm Knock In Dowel	840-X4-P2	Dowel	100
Plastic Triangle Socket, 10mm Knock In Dowel (Bulk)	840-X4-P2Z	Dowel	200

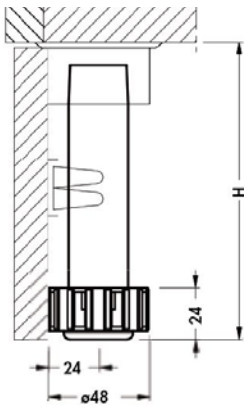


340 METAL LEVELER

CAMAR®

- Two-piece leveler (foot and shaft)
- Flat, black ABS foot
- Total adjustment 3/4"
- 595 Lbs load capacity per leveler with socket
- 100 per box

Description	Item Number	Height	Box Qty
Metal Leveler	340-15-02	6" - 6-3/4"	100



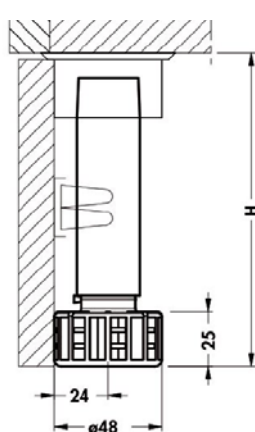
345 METAL LEVELER

CAMAR®

- Three-piece leveler (foot, shaft and insert)
- Black ABS foot
- Total adjustment 2-1/2"
- 595 Lbs load capacity per leveler with socket
- Insert flips to reach the higher adjustment
- 100 per box



Description	Item Number	Height	Box Qty
Metal Leveler	345-10-02	4" - 6-1/2"	100
Metal Leveler	345-13-02	5-1/4" - 7-3/4"	100
Metal Leveler	345-17-02	6-1/2" - 9"	100



350 METAL LEVELER

CAMAR®

- Two-piece leveler (foot and shaft)
- Flat, black ABS foot
- 330 Lbs load capacity per leveler with socket
- Total adjustment 1"
- 100 per box

Description	Item Number	Height	Box Qty
Metal Leveler	350-10-02	3-3/4" - 4-3/4"	100

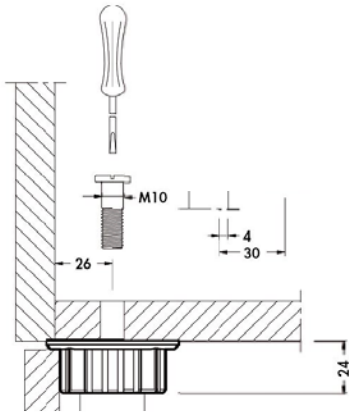


841 ABS SOCKET - WOOD SCREW MOUNT FOR METAL LEVELERS (340, 345 & 350)

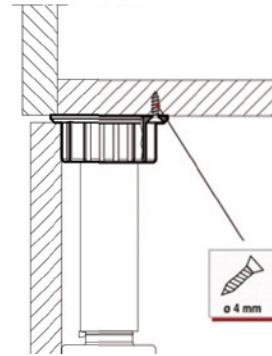
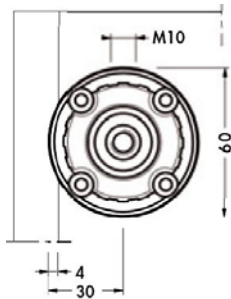


- For metal levelers only.
- Wood screw or hollow bolt mount
- 4mm Wood screw (Not Included)
- 100 per box

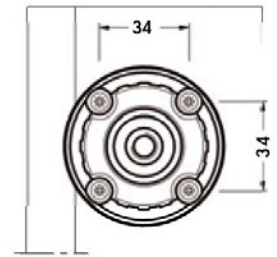
Description	Item Number	Mount	
Plastic Socket, With Hollow Bolt Included	841-00-P2	Hollow Bolt	100
Plastic Socket, Wood Screw Only	841-W0-P2	Wood Screw	100



841-00-P2



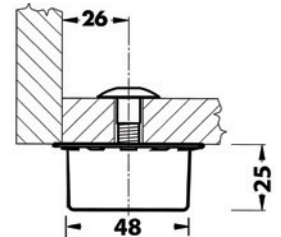
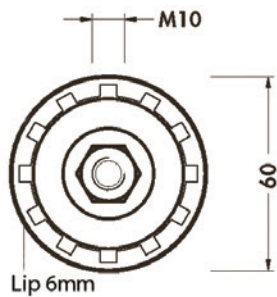
841-W0-P2



830 METAL SOCKET



- Hollow bolt mount
- M10 hollow bolt included
- Cover caps available
- 100 per box



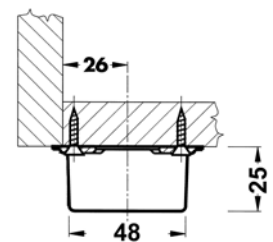
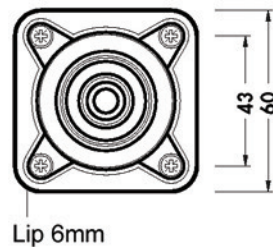
Description	Item Number	Mount	Box Qty
Metal Socket	830-H1-00	Hollow Bolt	100



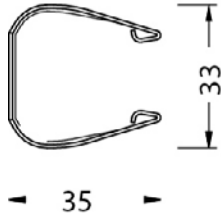
835 METAL SOCKET



- Wood screw mount
- 4mm Wood screw (Not Included)
- 100 per Box



Description	Item Number	Mount	Box Qty
Metal Socket	835-E1-00	Wood Screw	100



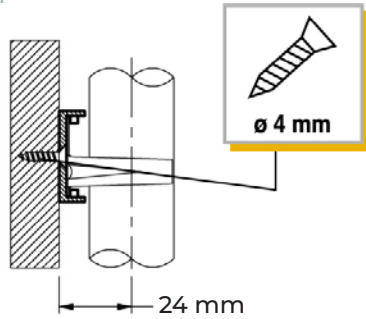
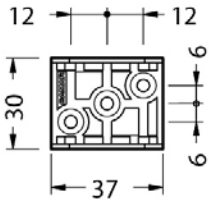
2-FINGER CLIP

CAMAR®

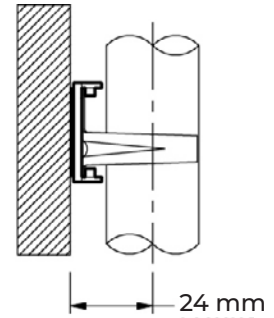
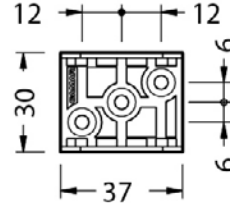
- 2-Finger steel clip
- Screw Mount, Adhesive, 4mm groove
- ABS plastic backing
- Works with all of our levelers
- 100 per box



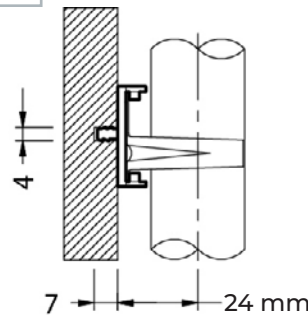
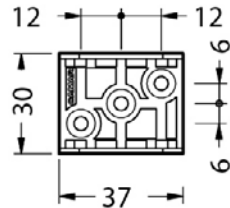
228-V1-T2



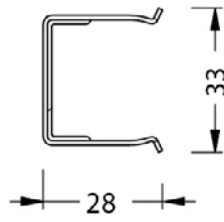
228-AD-E2



228-AN-C2



Description	Item Number	Box Qty
2-Finger Screw Mount	228-V1-T2	100
2-Finger Adhesive Mount	228-AD-E2	100
2-Finger 4mm Groove Mount	228-AN-C2	100



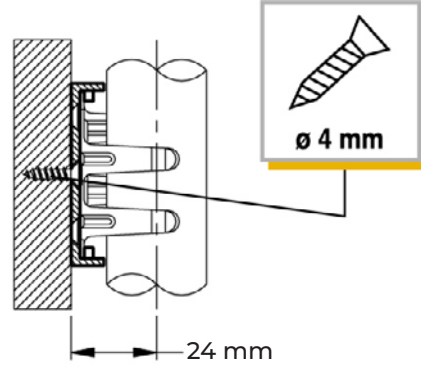
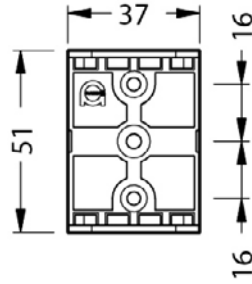
4-FINGER CLIP

CAMAR®

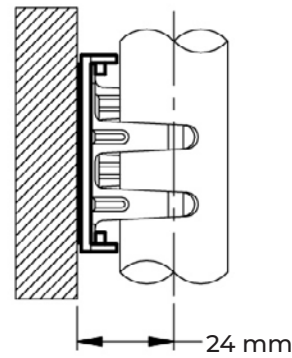
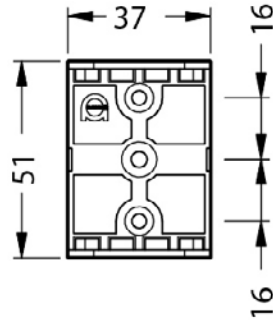
- 4-Finger steel clip
- Screw Mount, Adhesive, or 4mm groove mount
- ABS plastic backing
- Works with all of our levelers
- 100 per box



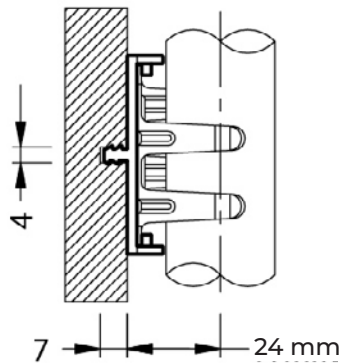
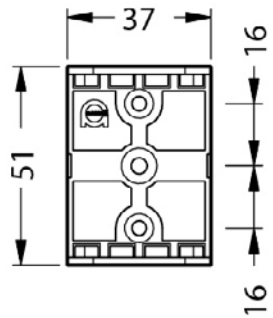
202-V1-T2



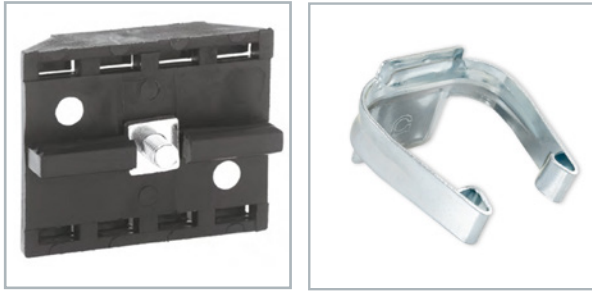
202-AD-E2



202-AN-C2



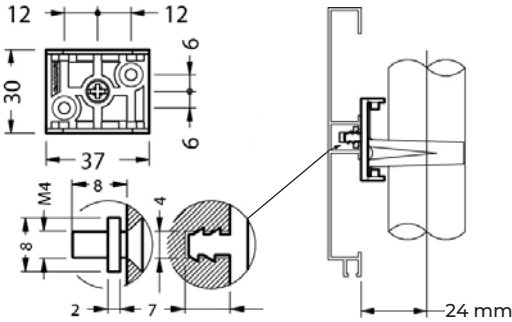
Description	Item Number	Box Qty
4-Finger Screw Mount	202-V1-T2	100
4-Finger Adhesive Mount	202-AD-E2	100
4-Finger 4mm Groove Mount	202-AN-C2	100



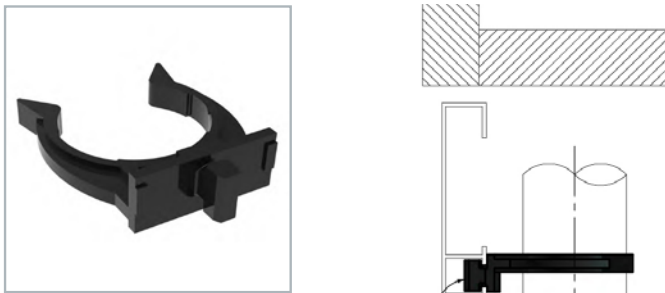
2-FINGER CLIP - SLIDE NUT

CAMAR®

- 2-Finger steel clip
- Slide nut mounting
- For aluminum or PVC toe-kick material
- ABS plastic backing
- Works with all of our levelers
- 100 per box



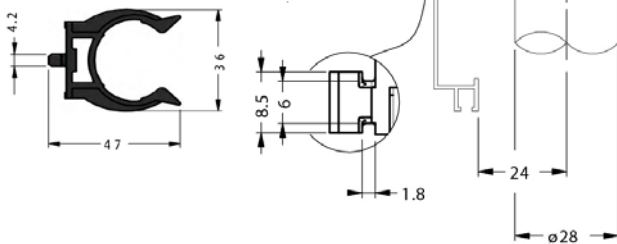
Description	Item Number	Box Qty
2-Finger Slide Nut for Aluminum or PVC Toe-Kicks	228-AM-B2	100



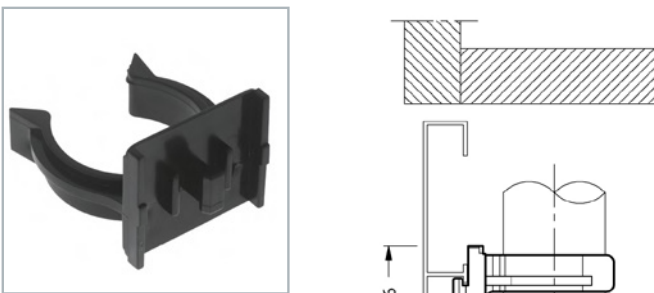
2-FINGER CLIP - TWIST-LOCK

CAMAR®

- 2-Finger ABS plastic clip
- Drop-in twist-lock mounting
- For aluminum or PVC toe-kick material
- Works with all of our levelers
- 100 per box



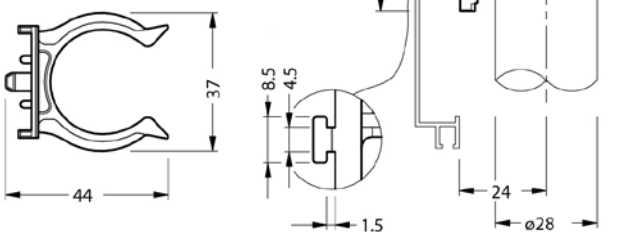
Description	Item Number	Box Qty
2-Finger ABS Plastic for Aluminum or PVC Toe-Kicks	226-4A-P2	100



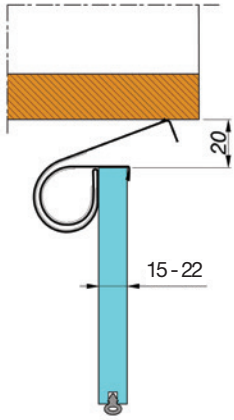
2-FINGER CLIP - END-FEED

CAMAR®

- 2-Finger ABS plastic clip
- End-feed mounting
- For aluminum or PVC toe-kick material
- Works with all of our levelers
- 100 per box

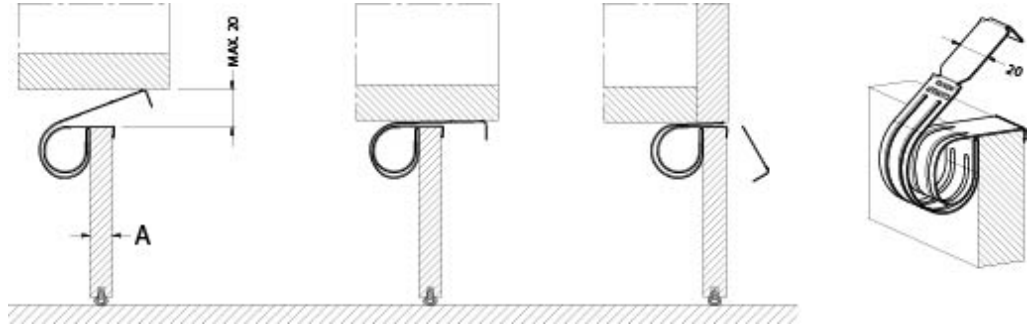


Description	Item Number	Box Qty
2-Finger ABS Plastic for Aluminum or PVC Toe-Kicks	226-AL-P2	100

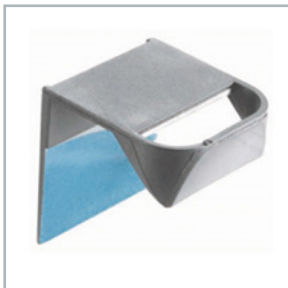


EASY TOE-KICK CLIP

- Tempered metal clip requires no tools **CAMAR®**
- Fits board thickness of 5/8" - 7/8"
- Can fill up to a 3/4" gap between the toe kick board and bottom of cabinet
- 100 per box

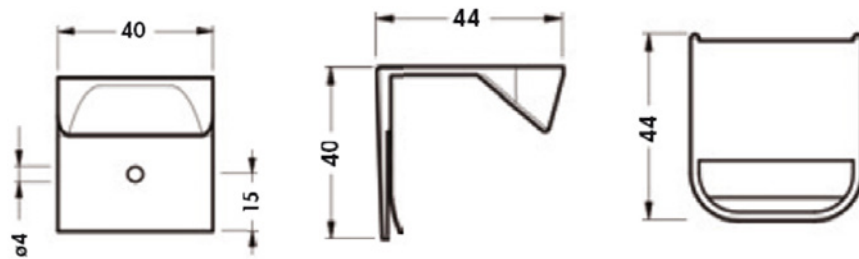


Description	Item Number	Box Qty
EASY Toe-Kick Clip	235-00-T2	100

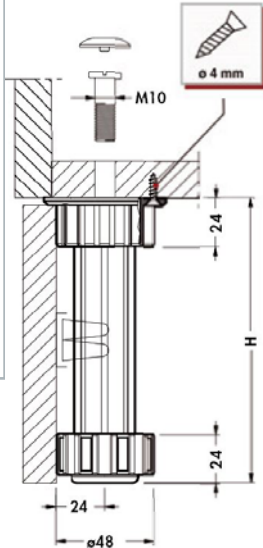


TOE-KICK HANDLE

- White ABS handle for easy toe-kick removal **CAMAR®**
- Adhesive or screw mount
- 100 per box



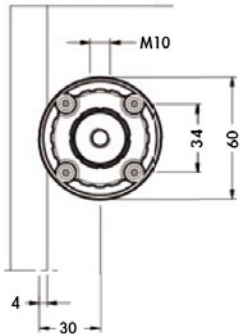
Description	Item Number	Box Qty
Toe-Kick Handle	230-01-BE	100



446 ABS PLASTIC LEVELER AND SOCKET COMBO

CAMAR®

- Three-piece leveler: (foot, insert and shaft with socket)
- Socket is permanently molded to leveler
- Hollow-bolt mount (bolt included)
- Can be mounted using a hollow bolt, wood screws (not provided) or using both if preferred.
- Total adjustment 2"
- 100 per box



Description	Item Number	Height	Box Qty
Leveler with Socket, w/o Hollow Bolt	446-P2-S3	3-3/4" - 5-3/4"	100
Leveler with Socket, with Hollow Bolt	446-P2-S3K	3-3/4" - 5-3/4"	100

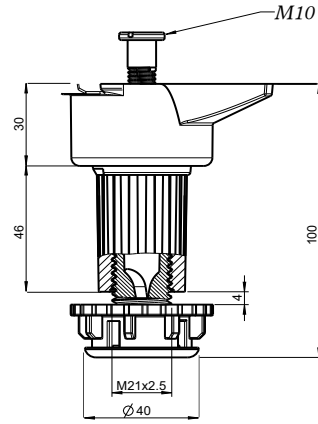


478 ABS FOLDABLE PLASTIC LEVELER

- Screw the leveler to the cabinet bottom, transport the cabinet safely to install location, then unfold the leveler
- One simple motion takes the leveler to the desired position
- Packed individually including 1 of each style toe kick clip (push-down and adhesive)
- Available in Screw Mount or Dowel Mount
- For both kitchen and vanity applications
- Total adjustment of 3" from min/max dimension
- 300 lbs. load capacity per leveler
- 100 per box



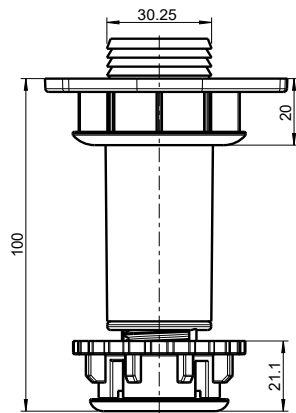
Description	Item Number	Height	Box Qty
Foldable Leveler, Screw on	478-10-P2	3-1/2" - 4-1/2" and 5-1/2" - 6-1/2"	100
Foldable Leveler, Dowel Mount	478-10-DW	3-1/2" - 4-1/2" and 5-1/2" - 6-1/2"	100



PLASTIC LEVELER AND SOCKET HOLLOW BOLT

- Three-piece leveler (foot, shaft and socket)
- Hollow-bolt mount (bolt included)
- Flat, black non-slip rubber foot
- Total adjustment 2"
- 100 per box

Description	Item Number	Height	Box Qty
Leveler with Socket and Hollow Bolt	27014754	4" - 6"	100



PLASTIC LEVELER AND SOCKET KNOCK IN

- Three-piece leveler (foot, shaft and socket)
- 30mm Knock-in socket mount
- Flat, black non-slip rubber foot
- Total adjustment 1"
- 100 per box

Description	Item Number	Height	Box Qty
Leveler with Knock-in Socket	27015644	4" - 5"	100



TOE-KICK CLIP - SCREW ON

- 2 finger plastic clip
- Screw mount
- Works with 27014754 and 27015644
- 50 per bag

Description	Item Number	Box Qty
Toe-Kick Clip - Screw On	27015054	50



TOE-KICK CLIP - KNOCK IN

- 2 finger plastic clip
- 3.5mm Groove mount
- Works with 27014754 and 27015644
- 50 per bag

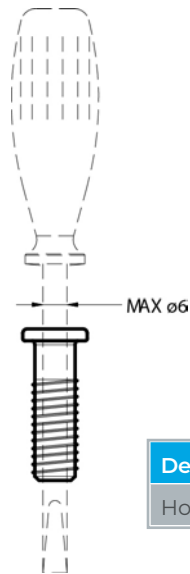
Description	Item Number	Box Qty
Toe-Kick Clip - 3.5mm Groove Mount	27015214	50



SCREWDRIVER

- 10" Shaft
- Long screw driver to adjust levelers from inside the cabinet using a hollow bolt socket
- Can be inserted in the cabinet leveler's notches in the foot to adjust the leveling height

Description	Item Number	Length	Box Qty
Screwdriver	810-25-G1	10" shaft	1 Each

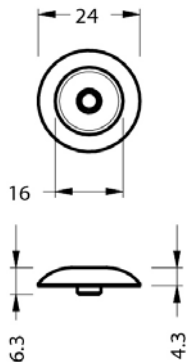


HOLLOW BOLT



- Allows for screwdriver insertion for easy leveler adjustment
- Use with 25mm cover cap
- 100 per bag

Description	Item Number	Size	Box Qty
Hollow Bolt	850-R1-10	M10	100



COVER CAPS, 25MM



- 25mm cover cap
- For use with hollow bolt version sockets
- Covers the adjustment through hole of the hollow bolt inside the base cabinets
- Various colors available
- 100 per bag

Description	Item Number	Finish	Box Qty
810 Cover Cap	810-37-01	White	100
810 Cover Cap	810-37-02	Black	100
810 Cover Cap	810-37-04	Brown	100
810 Cover Cap	810-37-55	Almond	100
810 Cover Cap	810-37-60 *	Grey	100



400-025B

CAMAR®

Description	Content	Quantity
Metal Leveler, 3 piece, 4" - 6-1/2"	345-10-02	4 pieces
Metal Socket with Hollow Bolt	830-H1-00	4 pieces
Toe-Kick Clip, 4mm Groove Mount, 4 fingers	202-AN-C2	2 pieces
Cover cap 25mm White	810-37-01	4 pieces
Cover cap 25mm Almond	810-37-55	4 pieces



400-026B

CAMAR®

Description	Content	Quantity
Metal Leveler, 3 piece, 4" - 6-1/2"	345-10-02	4 pieces
Metal Socket with Hollow Bolt	830-H1-00	4 pieces
Toe-Kick Clip, Screw Mount, 4 fingers	202-V1-T2	2 pieces
Cover cap 25mm White	810-37-01	4 pieces
Cover cap 25mm Almond	810-37-55	4 pieces



400-027B

CAMAR®

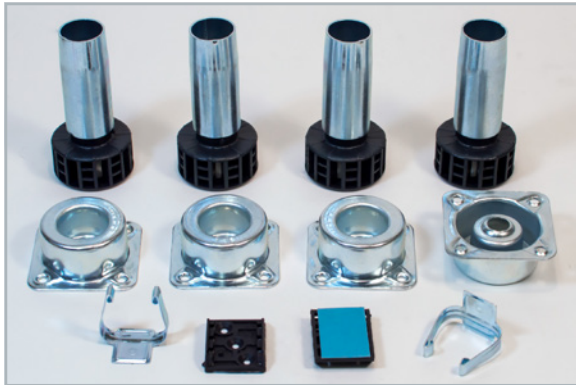
Description	Content	Quantity
Metal Leveler, 3 piece 4" - 6-1/2"	345-10-02	4 pieces
Metal Socket for Wood Screw Mount	835-E1-00	4 pieces
Toe-Kick Clip, 4mm Groove Mount, 4 fingers	202-AN-C2	2 pieces



400-028B

CAMAR®

Description	Content	Quantity
Metal Leveler, 3 piece 4" - 6-1/2"	345-10-02	4 pieces
Metal Socket for Wood Screw Mount	835-E1-00	4 pieces
Toe-Kick Clip, Screw Mount, 4 fingers	202-V1-T2	2 pieces



400-350

CAMAR®

Description	Content	Quantity
Metal Leveler, 2 piece, 3-3/4" - 4-3/4"	350-10-02	4 pieces
Metal Socket for Wood Screw Mount	835-E1-00	4 pieces
Toe-Kick Clip, Adhesive Mount, 2 fingers	228-AD-E2	2 pieces



400-029BS

CAMAR®

Description	Content	Quantity
Plastic Leveler, 3 piece, 4" - 6-1/2"	448-10-P2	4 pieces
Plastic Socket with Hollow Bolt	841-00-P2	4 pieces
Toe-Kick Clip, 4mm Groove Mount, 4 fingers	202-AN-C2	2 pieces
Cover cap 25mm White	810-37-01	4 pieces
Cover cap 25mm Almond	810-37-55	4 pieces



400-031B

CAMAR®

Description	Content	Quantity
Plastic Leveler, 2 piece, 3-3/4" - 4-3/4"	415-10-P2	4 pieces
Plastic Socket with Hollow Bolt	840-00-R1	4 pieces
Toe-Kick Clip, 4mm Groove Mount, 4 fingers	202-AN-C2	2 pieces
Cover cap 25mm White	810-37-01	4 pieces
Cover cap 25mm Almond	810-37-55	4 pieces



400-050B

CAMAR®

Description	Content	Quantity
Plastic Leveler, 2 piece, 3-3/4" - 6-1/4"	418-10-P2	4 pieces
Plastic Socket, V Plate, 15mm Dowel Mount	840-15-P2	4 pieces
Toe-Kick Clip, 4mm Groove Mount, 2 fingers	228-AN-C2	2 pieces



400-055B

CAMAR®

Description	Content	Quantity
Plastic Leveler, 3 piece with Hollow Bolt, 3-3/4" - 5-3/4"	446-P2-S3K	4 pieces
Toe-Kick Clip, Screw Mount, 2 fingers	228-V1-T2	2 pieces
Cover cap 25mm White	810-37-01	4 pieces
Cover cap 25mm Almond	810-37-55	4 pieces



400-056B

CAMAR®

Description	Content	Quantity
Plastic Leveler, 3 piece with Hollow Bolt, 3-3/4" - 5-3/4"	446-P2-S3K	4 pieces
Toe-Kick Clip, 4mm Groove Mount, 4 fingers	202-AN-C2	2 pieces
Cover cap 25mm White	810-37-01	4 pieces



400-415B

CAMAR®

Description	Content	Quantity
Plastic Leveler, 2 piece, 3-3/4" - 4-3/4"	415-10-P2	4 pieces
Plastic Socket, V Plate, Wood Screw Mount Only	840-H5-P2	4 pieces
Toe-Kick Clip, Adhesive Mount, 2 fingers	228-AD-E2	2 pieces



400-418B

CAMAR®

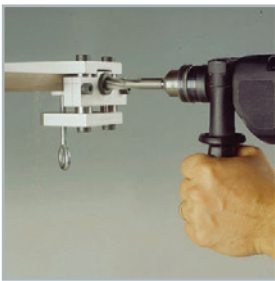
Description	Content	Quantity
Plastic Leveler, 2 piece, 3-3/4" - 6-1/4"	418-10-P2	4 pieces
Plastic Socket, V Plate, Wood Screw Mount Only	840-H5-P2	4 pieces
Toe-Kick Clip, Screw Mount, 4 fingers	202-V1-T2	2 pieces



12MM HEAVY-DUTY METAL CONCEALED LEVELER

CAMAR®

- Easy height adjustments with a #4 hex key or screwdriver
- Up to 1" height adjustment (11/16" on 306-03-12)
- One-person leveling
- 660 lbs. load capacity
- Sturdy metal levelers won't bend when moving furniture
- 12mm drill bit and fixture available
- 10 Hex Keys included per 100 levelers
- 100 per box



Use the template to drill the placement hole.



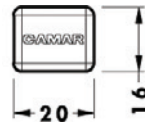
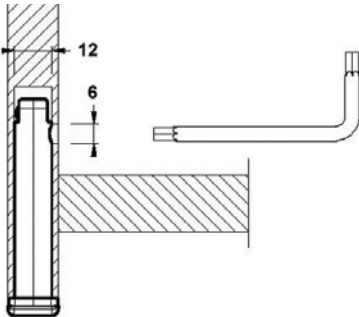
Drill the adjustment hole. Max opening of 1-3/4"



Insert 12mm Concealed Leveler into placement hole.



Adjust as needed through adjustment hole.

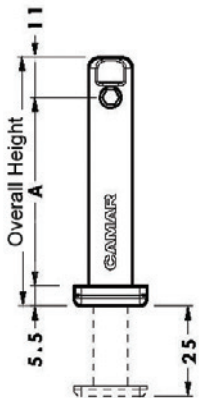


02.7442.4



306SD

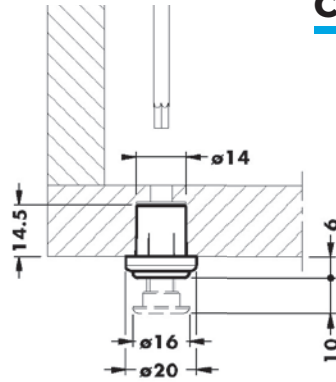
*10 Hex Keys are included in package of 100 levelers.



'A' Dimension will change with the height of the leveler – see chart.

Description	Item Number	"A" Height	Box Qty
12mm Concealed Leveler	306-03-12	1-1/4" (32mm)	100
12mm Concealed Leveler	306-05-12	2" (52mm)	100
12mm Concealed Leveler	306-07-12	2-7/8" (70mm)	100
12mm Concealed Leveler	306-10-12	4" (100mm)	100
12mm Concealed Leveler	306-12-12	4-3/4" (120mm)	100
Polybag, 4 pieces 306-05-12 with 1 Hex Key	400-05-12	2" (52mm)	1
Hex Key, 4mm	02.7442.4	-	1
Drill Template 12mm	306-MA-12	-	1
Screwdriver	306SD	-	1
Drill Bit - 12mm	BIT-12	-	1

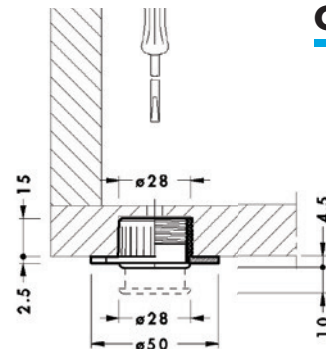
14MM BASE PANEL CONCEALED LEVELER



- ABS leveler with a 10mm adjustment **CAMAR®**
- Easily installed in base panel with through hole adjustment
- 4mm Hex Key not included
- 330 lbs. load capacity per leveler
- 200 per box

Description	Item Number	Capacity	Box Qty
14mm Concealed Leveler	304-14-A2	330 lbs.	200

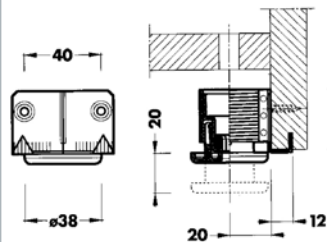
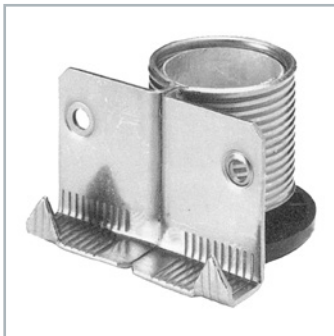
28MM BASE CABINET CONCEALED LEVELER



- Zinc leveler with a 10mm adjustable ABS foot **CAMAR®**
- Requires a flat screwdriver for adjustment
- Easily installed in base panel with through hole adjustment
- 440 lbs. load capacity per leveler
- 200 per box

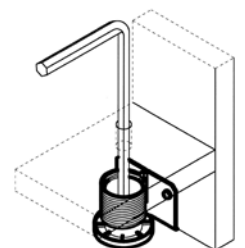
Description	Item Number	Capacity	Box Qty
28mm Concealed Leveler	304-50-A2	440 lbs.	200

HEAVY DUTY LEVELER



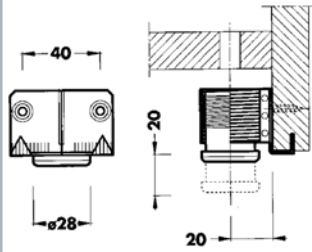
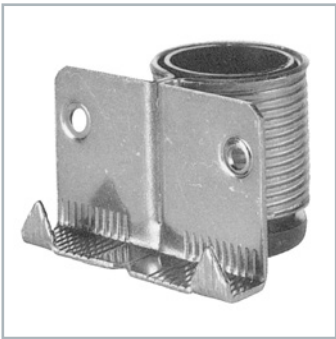
- Metal leveler with metal insert and large floating ABS foot **CAMAR®**
- Independent turning insert prevents floor scratches while adjusting the height
- Total adjustment 3/4"
- 10 Hex Keys included
- 330 lbs. load capacity per leveler
- 100 per box

Description	Item Number	Capacity	Box Qty
Heavy-Duty Leveler	300-Z2-Z2	330 lbs.	100
Extra Allen Key	809-13-Z1	-	1 Each

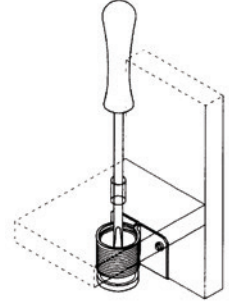


REGULAR DUTY LEVELER

CAMAR®



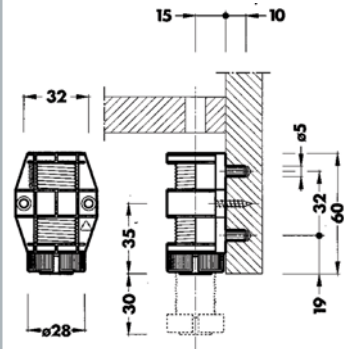
- Metal leveler with threaded ABS insert
- Slotted Standard screwdriver adjustment
- Total adjustment 3/4"
- 220 lbs. load capacity per leveler
- 100 per box



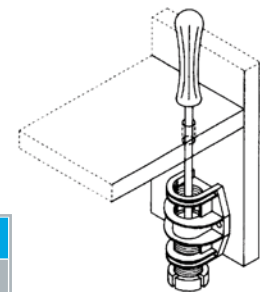
Description	Item Number	Capacity	Box Qty
Regular-Duty Leveler	300-Z2-A2	220 lbs.	100

ECONOMY ABS LEVELER

CAMAR®



- ABS plastic leveler
- Two 5mm dowels spaced 32mm apart for line boring and 2 holes for wood screws
- Total adjustment 1-1/8"
- 176 lbs. load capacity per leveler
- 100 per box



Description	Item Number	Capacity	Box Qty
Economy Leveler	302-P2-RA	176 lbs.	100

REF.	ITEM#	TYPE / ADJUSTMENT	MOUNT	FINISH	USE WITH	BOX QTY.
SMILE SYSTEM - ABS LEVELERS						
A	450-10-TT/Z	2 piece, Height Adj. 3-3/4" - 4-3/4"	-	ABS Black	Sockets: I J K L M	100 / 400
	450-11-TT/Z	2 piece, Height Adj. 4-1/8" - 5-1/8"	-	ABS Black	Sockets: I J K L M	100 / 400
	450-12-TT/Z	2 piece, Height Adj. 4-1/2" - 5-1/2"	-	ABS Black	Sockets: I J K L M	100 / 400
	450-13-TT/Z	2 piece, Height Adj. 4-7/8" - 5-7/8"	-	ABS Black	Sockets: I J K L M	100 / 400
	450-15-TT/Z	2 piece, Height Adj. 5-3/4" - 6-3/4"	-	ABS Black	Sockets: I J K L M	100 / 400
B	809-48-TT	Adjustment Tool	-	ABS Black	A C	1 each
C	809-60-TT	60mm (23-5/8") 28" Overall Aluminum Extension Tool	-	Aluminum/ABS	B	1 each
ABS LEVELERS						
D	415-08-P2/Z	2 piece, Height Adj. 3" - 4"	-	ABS Black	Sockets: I J K L M	100 / 400
	415-10-P2/Z	2 piece, Height Adj. 3-3/4" - 4-3/4"	-	ABS Black	Sockets: I J K L M	100 / 400
	415-11-P2/Z	2 piece, Height Adj. 4-1/8" - 5-1/8"	-	ABS Black	Sockets: I J K L M	100 / 400
	415-13-P2/Z	2 piece, Height Adj. 4-7/8" - 5-7/8"	-	ABS Black	Sockets: I J K L M	100 / 400
E	418-10-P2/Z	2 piece, Height Adj. 3-3/4" - 6-1/4"	-	ABS Black	Sockets: I J L M	100 / 400
EI	418-13-P2/Z	2 piece, Height Adj. 5" - 7-1/2"	-	ABS Black	Sockets: I J K L M	100 / 400
METAL LEVELERS						
F	340-15-02	2 piece, Height Adj. 6" - 6-3/4"	-	Metal	Sockets: N O P	100
G	345-10-02	3 piece, Height Adj. 4" - 6-1/2"	-	Metal	Sockets: N O P	100
	345-13-02	3 piece, Height Adj. 5-1/4" - 7-3/4"	-	Metal	Sockets: N O P	100
	345-17-02	3 piece, Height Adj. 6-1/2" - 9"	-	Metal	Sockets: N O P	100
H	350-10-02	2 piece, Height Adj. 3-3/4" - 4-3/4"	-	Metal	Sockets: N O P	100
ABS SOCKETS						
I	840-F5-00/Z	35mm Knock In	Knock in	ABS Black	Levelers: A D E EI	100 / 400
J	840-H5-P2/Z	Wood Screw Mount Only, V Plate	Wood Screw	ABS Black	Levelers: A D E EI	100 / 400
K	840-00-R1/Z	M10, Hollow Bolt Mount	Hollow Bolt	ABS Black	Levelers: A D EI	100 / 400
L	840-10-P2/Z	10mm Knock in Expandable Dowel, V Plate	Dowel/ Screw	ABS Black	Levelers: A D E EI	100 / 400
	840-15-P2/Z	15mm Knock in Expandable Dowel, V Plate	Dowel / Screw	ABS Black	Levelers: A D E EI	100 / 400
M	840-X0-P2/Z	Triangle, Wood Screw Mount	Wood Screw	ABS Black	Levelers: A D E EI	100 / 400
	840-X4-P2/Z	Triangle, 10mm Knock In Dowel Mount	Dowel	ABS Black	Levelers: A D E EI	100 / 400
N	841-W0-P2	Wood Screw Mount for Metal Leveler	Screw Mount	ABS Black	Levelers: F G H	100
	841-00-P2	M10, Hollow Bolt Mount for Metal Leveler	Hollow Bolt	ABS Black	Levelers: F G H	100
METAL SOCKETS						
O	830-H1-00	M10, with Hollow Bolt	Hollow Bolt	Metal	Levelers: F G H	100
P	835-E1-00	Wood Screw Mount	Wood Screw	Metal	Levelers: F G H	100
TOE-KICK CLIPS						
Q	228-XX-XX	2 Finger Toe-Kick Clips: Screw On, Adhesive, 4mm Groove and Slide-Nut	Various	Metal / ABS	All Style Levelers	100
R	202-XX-XX	4 Finger Toe-Kick Clips: Screw On, Adhesive and 4mm Groove	Various	Metal / ABS	All Style Levelers	100
S	226-XX-XX	2 Finger Toe-Kick Clips: End-Feed and Twist-Lock	Various	ABS Black	All Style Levelers	100



CONTACT INFO

1255 South Park Dr.
Kernersville, NC 27284 USA
Tel. 336-996-7774
Fax 336-996-1812
Toll Free 800-222-6941
E-mail: info@petermeier.com
www.petermeier.com

