

TABLE LEGS & FURNITURE LEGS





CAMAR[®]
the art of innovation

Table Legs

The PMI Table Leg line has been very popular for more than 30 years. We strive to provide the best that **CAMAR**[®] has to offer.

Our table legs are available in Aluminum, Steel and Stainless Steel and are sold in either Sets of 4 Legs or in Singles.

We offer various finishes, heights, and adjustments and we are sure you will find the best leg for your project.

TABLE LEGS & FURNITURE LEGS

Furniture Legs

Stylish legs for Kitchen cabinets, restaurant equipment, garage cabinets, entertainment units, or furniture - anywhere a fashionable leveling solution is desired.

Our PMI and **CAMAR**[®] Furniture Legs are available in various heights and finishes to coordinate with your home décor.

Please inquire
Toll Free at 1-800-222-6941 or
E-mail us at info@petermeier.com

TABLE OF CONTENTS

4 FURNITURE LEGS

552 - Como Furniture Legs	04
554 - Della Furniture Legs	04
556 - Square Furniture Legs	05
Sedona Decorative Legs	06
553 - Heavy Duty Equipment Legs	07
555 - Heavy Duty Counter Legs	07
350 - Square Booth Legs	08
255 - Round Booth Legs	08

9 TABLE LEGS

615 - Hamburg Legs	09
330 - Prisma Legs	10
666 - Zoom Legs	10
620 - Heidelberg Legs	11
624 - Isola Legs	11
653 - Studio Legs	12
656 - Click Legs	12
610 - Bremen Legs	13
380 - Slim Legs	13

14 ROCKWELL TABLE LEGS

950 - Rockwell 2" Round	14
960 - Rockwell 2 3/8" Round	15
976 - Rockwell 3" Round	16
960 - Rockwell 2-3/8" Stainless Steel	17
976 - Rockwell 3" Stainless Steel	18
850 - Rockwell 2" Square	19
860 - Rockwell 2 3/8" Square	20
876 - Rockwell 3" Square	21
932 - Pin Leg 1-1/4" Round	22

24 ACCESSORIES

Conny Table Top Connector	24
Click Catch Table Top Connector	24
Flip-Flop Table Top Hinge	24
Modesty Panel Clips	25
Flex Cable Management	25



556 SQUARE FURNITURE LEG

Page 5

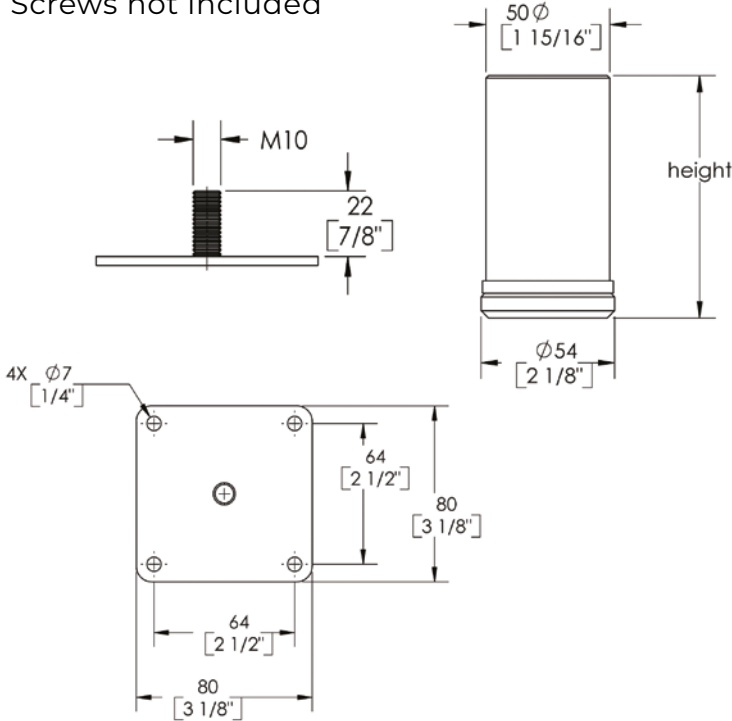
CONTACT INFO

1255 South Park Dr.
 Kernersville, NC 27284 USA
 Tel. 336-996-7774
 Fax 336-996-1812
 Toll Free 800-222-6941
 E-mail: info@petermeier.com
www.petermeier.com

Furniture Legs

COMO FURNITURE LEGS

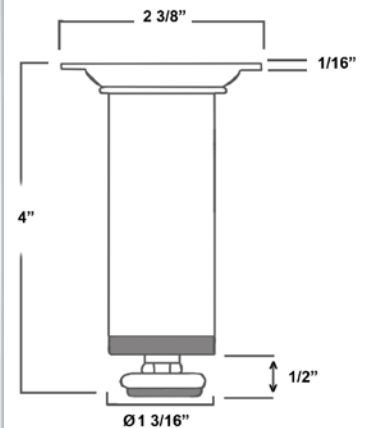
- 2" (50mm) diameter
- 4", 6", 8", and 10" Heights available
- 1-1/8" adjustable foot
- Mounting plate included
- Available in 5 finishes
- 330 lbs. weight capacity per leg
- Sold individually
- Screws not included



Description	4" Tall	6" Tall	8" Tall	10" Tall
Como Black Glossy	552-10-02	552-15-02	552-20-02	552-25-02
Como Polished Chrome	552-10-C1	552-15-C1	552-20-C1	552-25-C1
Como Alumina	552-10-AO	552-15-AO	552-20-AO	552-25-AO
Como Black Matte	552-10-19	552-15-19	552-20-19	552-25-19
Como Brushed Steel	552-10-ST	552-15-ST	552-20-ST	552-25-ST

DELLA FURNITURE LEGS

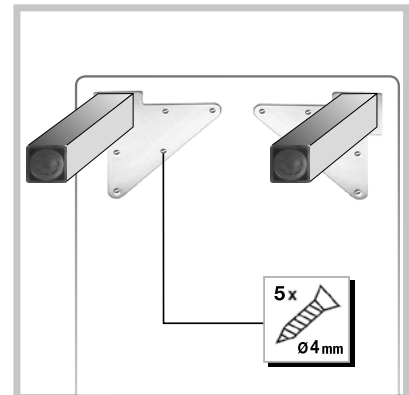
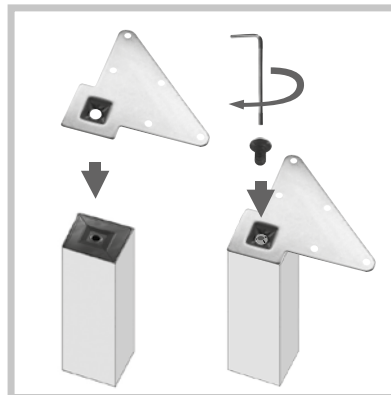
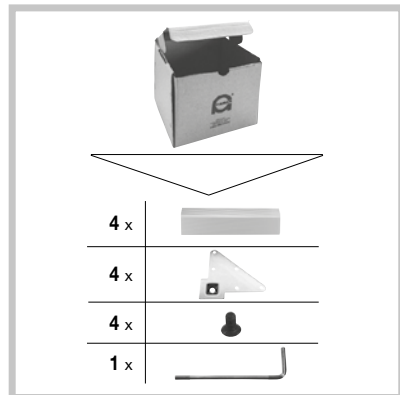
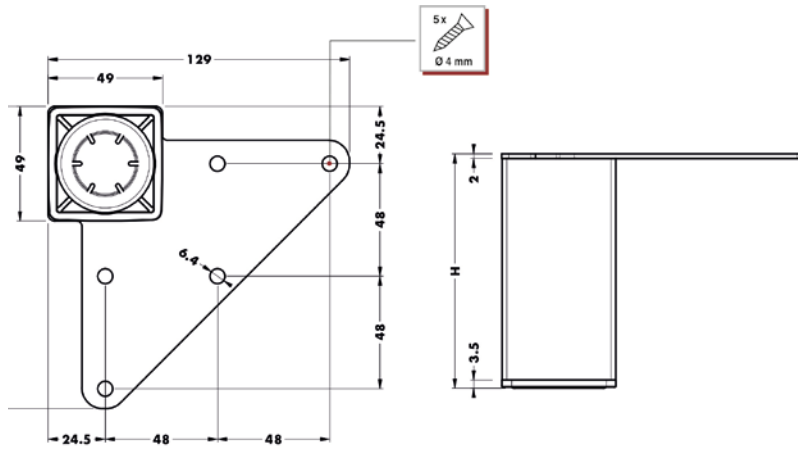
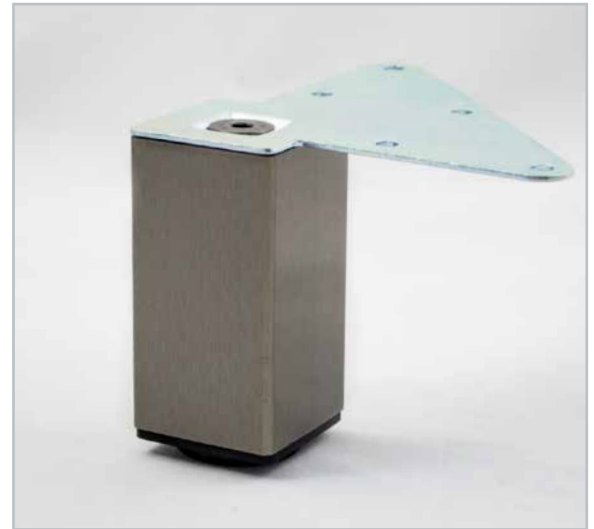
- 4" tall
- 1/2" adjustable foot
- 1-3/16" (30mm) diameter
- Fixed mounting plate
- 100 lbs. weight capacity per leg
- Sold individually
- Screws not included



Description	Item Number	Finish
Della Round Leg	554-10-ST	Brushed Steel

SQUARE FURNITURE LEGS

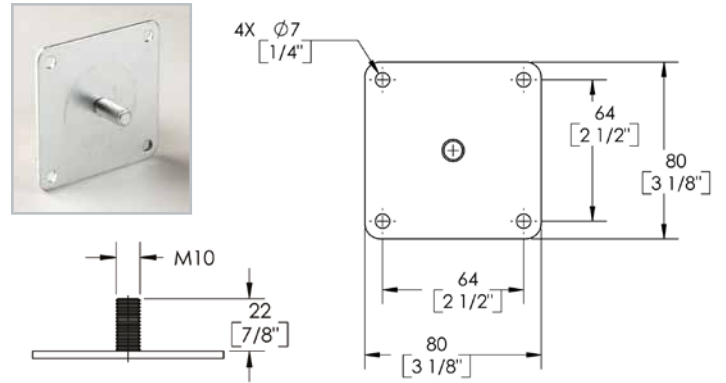
- 2" X 2" (51mm X 51mm) Square Leg
- 4" and 6" Heights available
- 3/4" height adjustment
- Attached with separate mounting plate
- Available in 4 finishes
- 330 lbs. weight capacity per leg
- Sold in sets of 4 legs per box
- Screws not included



Description	Item Number	Height	Finish
Square Furniture Leg	556-10-ST	4"	Brushed Steel
Square Furniture Leg	556-15-ST	6"	Brushed Steel
Square Furniture Leg	556-10-19	4"	Black Matte
Square Furniture Leg	556-15-19	6"	Black Matte
Square Furniture Leg	556-10-71	4"	Grey
Square Furniture Leg	556-15-71	6"	Grey
Square Furniture Leg	556-10-C1	4"	Polished Chrome
Square Furniture Leg	556-15-C1	6"	Polished Chrome

SEDONA DECORATIVE LEGS

- Solid aluminum furniture legs
- Mounting plate included
- Style 8 features 3/4" adjustable foot
- Product available in Matte finish
- 200 lbs. weight capacity per leg
- Sold individually
- Screws not included



Description	Item Number	Height	Finish
Sedona, Style 2	02-4-M	4"	Matte
Sedona, Style 2	02-6-M	6"	Matte
Sedona, Style 3	03-4-M	4"	Matte
Sedona, Style 3	03-6-M	6"	Matte
Sedona, Style 6	06-4-M	4"	Matte
Sedona Style 6	06-6-M	6"	Matte
Sedona, Style 8	08-4-M	4"	Matte
Sedona, Style 8	08-6-M	6"	Matte

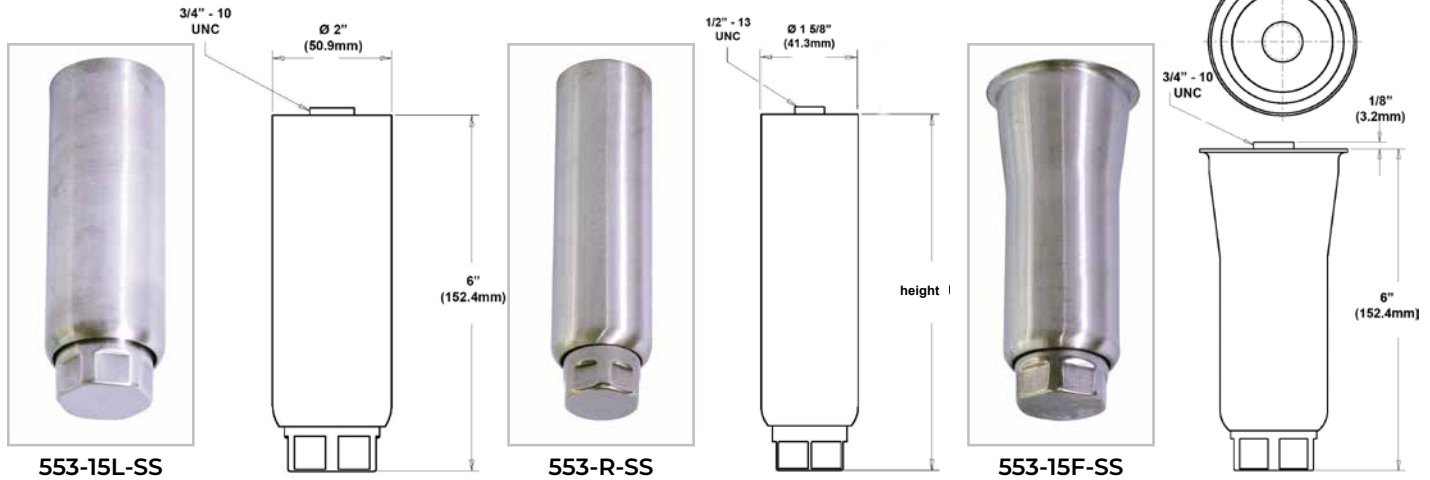
HEAVY-DUTY STAINLESS STEEL COUNTER & EQUIPMENT LEGS

- 6" high (553-R series now available in 4")
- Made of #304 Food Grade Stainless Steel
- All legs feature 1-7/16" adjustment
- Counter legs feature flange foot with holes to secure to floor (Must adjust prior to securing)
- 3-1/2" x 3-1/2" Mounting plate made of Zinc
- 2,000 lbs. weight capacity per leg
- Other Heights available, please inquire
- Sold individually
- Screws not included



Mounting Plate

EQUIPMENT



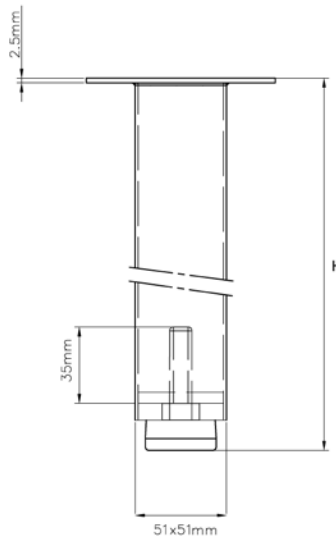
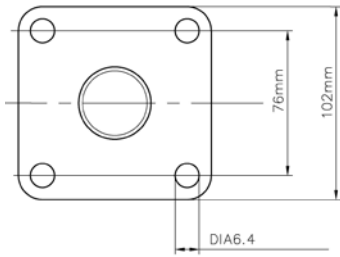
COUNTER



Description	Item Number	Diameter	Height	Finish
Equipment Leg	553-15L-SS	2"	6"	Stainless Steel
Equipment Leg	553-10R-SS	1-5/8"	4"	Stainless Steel
Equipment Leg	553-15R-SS	1-5/8"	6"	Stainless Steel
Flared Equipment Leg	553-15F-SS	2"	6"	Stainless Steel
Counter Leg	555-15L-SS	2"	6"	Stainless Steel
Counter Leg	555-15R-SS	1-5/8"	6"	Stainless Steel
Flared Counter Leg	555-15F-SS	2"	6"	Stainless Steel
Toe Kick Clip	553-CLIP	-	-	Stainless Steel

SQUARE BOOTH LEGS

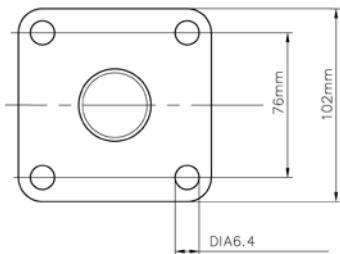
- 2" X 2" (51mm X 51mm) Square Leg
- 4", 6" and 8" Heights available
- 1" height adjustment
- 4" x 4" (101mm x 101mm) welded steel top plate
- Available in 2 finishes
- 220 lbs. weight capacity per leg
- Sold in sets of 4 legs per box
- Screws not included
- Custom color options available



Description	Item Number	Height	Finish
Square Booth Leg	350-10-BK	4"	Black Matte
Square Booth Leg	350-15-BK	6"	Black Matte
Square Booth Leg	350-20-BK	8"	Black Matte
Square Booth Leg	350-10-ST	4"	Brushed Steel
Square Booth Leg	350-15-ST	6"	Brushed Steel
Square Booth Leg	350-20-ST	8"	Brushed Steel

ROUND BOOTH LEGS

- 2" (51mm) Diameter
- 4", 6" and 8" Heights available
- 1" height adjustment
- 4" x 4" (101mm x 101mm) welded steel top plate
- Available in black matte
- 220 lbs. weight capacity per leg
- Sold in sets of 4 legs per box
- Screws not included
- Custom color options available



Description	Item Number	Height	Finish
Round Booth Leg	255-10-BK	4"	Black Matte
Round Booth Leg	255-15-BK	6"	Black Matte
Round Booth Leg	255-20-BK	8"	Black Matte

- Adjustable table legs available in Steel or Stainless Steel
- Available in Sets of 4 legs or in singles
- Sets are conveniently packaged in one box with all mounting hardware included
- ABS plastic adjustable feet are integrated into all legs
- Height adjustment is 1-1/8"
- Various finishes are available
- Standard heights available for Tables (27-3/4"), Counters (34-1/4") and Bars (43-1/4")
- Cut-to-size available on most styles

Packaged Kit



Available Finishes



Chrome (C1)



Black (02)



Black Matte (19)



Brushed Steel (ST)



Stainless Steel (IX)

HAMBURG LEGS

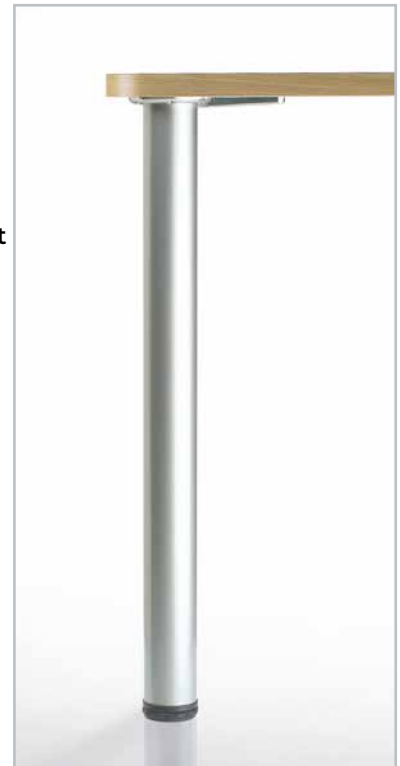
- 2-3/8" (60mm) diameter
- 1-1/8" adjustable foot
- 330 lbs. weight capacity per leg
- Screws included

Table-Height Legs - 27-3/4"

Description	Item No. Set of 4	Item No. Single Leg
Hamburg Black Glossy	615-70-02	615-7S-02
Hamburg Black Matte	615-70-19	615-7S-19
Hamburg Polished Chrome	615-70-C1	615-7S-C1
Hamburg Stainless Steel	615-70-IX	615-7S-IX
Hamburg Brushed Steel	615-70-ST	615-7S-ST



Mounting Bracket



Adjustable Foot

Counter-Height Legs - 34-1/4"

Description	Item No. Set of 4	Item No. Single Leg
Hamburg Black Glossy	615-87-02	615-8S-02
Hamburg Black Matte	615-87-19	615-8S-19
Hamburg Polished Chrome	615-87-C1	615-8S-C1
Hamburg Brushed Steel	615-87-ST	615-8S-ST

Bar-Height Legs - 43-1/4"

Description	Item No. Single Leg Only
Hamburg Glossy Black	615-1S-02
Hamburg Polished Chrome	615-1S-C1
Hamburg Brushed Steel	615-1S-ST

Table Legs

PRISMA LEGS

- 2-3/8" (60mm) diameter
- 1-1/8" adjustable foot
- 330 lbs. weight capacity per leg
- Screws included

Table-Height Legs - 27-3/4"

Description	Item No. Set of 4 Only
Prisma Black Glossy	330-70-BK
Prisma Polished Chrome	330-70-CH
Prisma Black Matte	330-70-MT
Prisma Brushed Steel	330-70-ST



Mounting Bracket



Counter-Height Legs - 34-1/4"

Description	Item No. Set of 4 Only
Prisma Black Glossy	330-87-BK
Prisma Polished Chrome	330-87-CH
Prisma Black Matte	330-87-MT
Prisma Brushed Steel	330-87-ST



Adjustable Foot

ZOOM LEGS

- 2-3/8" (60mm) diameter
- 4" adjustable foot
- Ideal for handicap accessibility
- 330 lbs. weight capacity per leg
- Screws included



Mounting Bracket

Table-Height Legs - 27-3/4"

Description	Item No. Set of 4	Item No. Single Leg
Zoom Black Glossy	666-70-02	666-7S-02
Zoom Black Matte	666-70-19	666-7S-19
Zoom Polished Chrome	666-70-C1	666-7S-C1
Zoom Brushed Steel	666-70-ST	666-7S-ST



Adjustable Foot



Counter-Height Legs - 34-1/4"

Description	Item No. Set of 4	Item No. Single Leg
Zoom Black Glossy	666-87-02	666-8S-02
Zoom Black Matte	666-87-19	666-8S-19
Zoom Polished Chrome	666-87-C1	666-8S-C1
Zoom Brushed Steel	666-87-ST	666-8S-ST



Caster

Caster and Cover *still allows for adjustment

Description	Item No.	Finish
Zoom Caster	6CA-ST-ER	Black Matte
Zoom Metal Cover	666-CO-02	Black Glossy
Zoom Metal Cover	666-CO-C1	Polished Chrome
Zoom Metal Cover	666-CO-ST	Brushed Steel



Metal Cover

HEIDELBERG LEGS

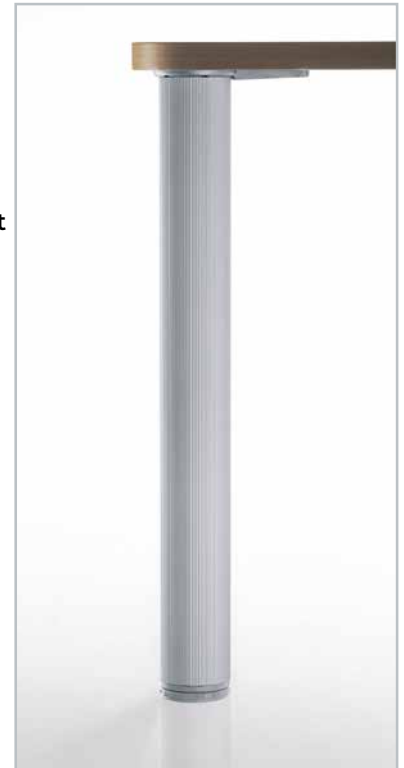
- 3" (80mm) diameter
- 1-1/8" adjustable foot
- 330 lbs. weight capacity per leg
- Screws included

Table-Height Legs - 27-3/4"

Description	Item No. Set of 4	Item No. Single Leg
Heidelberg Black Matte	620-70-19	620-7S-19
Heidelberg Polished Chrome	620-70-C1	620-7S-C1
Heidelberg Stainless Steel	620-70-IX	620-7S-IX
Heidelberg Brushed Steel	620-70-ST	620-7S-ST



Mounting Bracket



Counter-Height Legs - 34-1/4"

Description	Item No. Single Legs Only
Heidelberg Black Matte	620-8S-19
Heidelberg Polished Chrome	620-8S-C1
Heidelberg Brushed Steel	620-8S-ST



Adjustable Foot

ISOLA LEGS

- Single leg for islands
- 3" (80mm) diameter
- Up to 9" adjustment at the top
- 330 lbs. weight capacity per leg
- Securely fastened with four standard wood screws (not included)

Table-Height Legs - 27-3/4"

Description	Item No. Single Legs Only
Isola Black Matte	624-7S-19
Isola Polished Chrome	624-7S-C1
Isola Brushed Steel	624-7S-ST



Mounting Bracket



Adjustment



Table Legs

STUDIO LEGS

- 2" (50mm) diameter
- 7" adjustable foot
- Cover for foot is included
- 330 lbs. weight capacity per leg
- Screws included



Mounting Bracket



Foot without Cover



Cover



Table-Height Legs - 24" - 31"

Description	Item No. Set of 4	Item No. Single Leg
Studio Black Matte	653-70-19	653-7S-19
Studio Polished Chrome	653-70-C1	653-7S-C1
Studio Brushed Steel	653-70-ST	653-7S-ST

Counter-Height Legs - 36" - 43"

Description	Item No. Single Leg Only
Studio Black Matte	653-9S-19
Studio Polished Chrome	653-9S-C1
Studio Brushed Steel	653-9S-ST

CLICK LEGS

- 2" (50 mm) diameter
- 1-1/8" adjustable foot
- Single button release
- Foldable leg
- 220 lbs. weight capacity per leg
- Screws included



Table-Height Legs - 27-3/4"

Description	Item No. Set of 4	Item No. Single Leg
Click Black Matte	656-70-19	656-7S-19
Click Alumina	656-70-AO	656-7S-AO
Click Polished Chrome	656-70-C1	656-7S-C1

BREMEN LEGS

- 2" (50mm) diameter
- 1-1/8" adjustable foot
- 220 lbs. weight capacity per leg
- Screws included



Mounting Bracket



Table-Height Legs - 27-3/4"

Description	Item No. Set of 4	Item No. Single Leg
Bremen Black Matte	610-70-19	610-7S-19
Bremen Polished Chrome	610-70-C1	610-7S-C1
Bremen Brushed Steel	610-70-ST	610-7S-ST
Bremen Grey	610-70-71	610-7S-71



Adjustable Foot

SLIM LEGS

- 1-3/8" (35mm) diameter with welded bracket
- 1" adjustable foot
- Perfect for use as a support leg for PMI's cantilevers
- 220 lbs. weight capacity per leg
- Screws not included

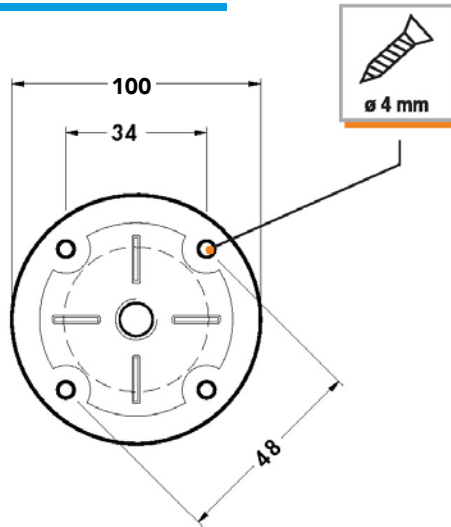


Table-Height Legs - 27-3/4"

Description	Item No. Set of 4	Item No. Single Leg
Slim Black Glossy	380-70-02	380-7S-02



Adjustable Foot

Table Legs

950 ROCKWELL ROUND LEGS

- 2" (50mm) diameter
- Made of Steel
- Table and counter heights available
- Quick Install 4-9/16" (116mm) square mounting plate with M10 threaded bolt for quick attachment to the leg
- 1-1/8" adjustable foot
- 220 lbs. weight capacity per leg
- Screws are included
- Can be custom cut down to size
- Custom powder coat colors are available
- Sold in Sets of 4 and Single legs



Mounting Bracket



Adjustable Foot

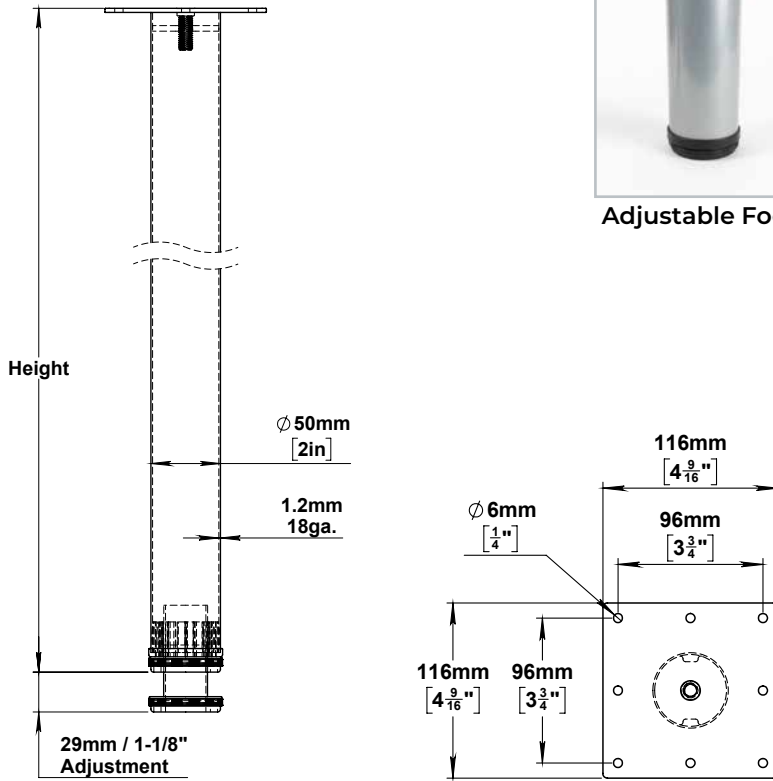


Table-Height Legs - 28"

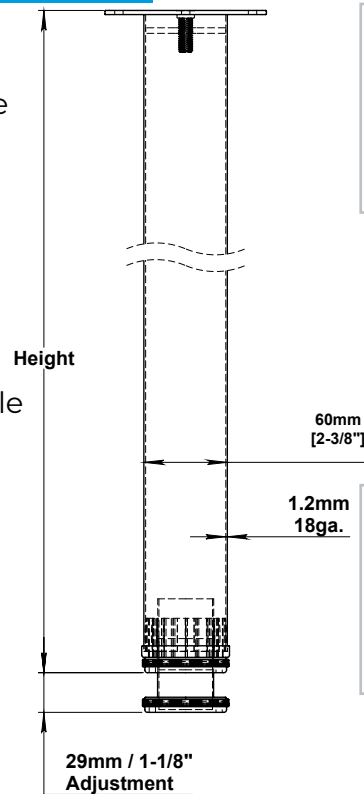
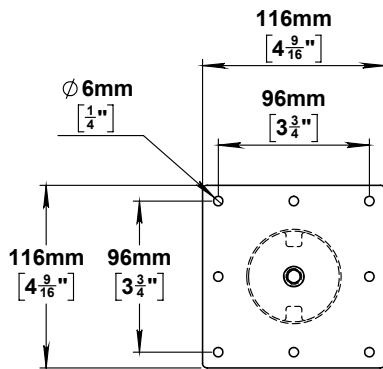
Description	Item No. Set of 4	Item No. Single Leg	Finish
Rockwell 2" Diameter	950-28-02	950-7S-02	Black Matte
Rockwell 2" Diameter	950-28-71	950-7S-71	Aluminum Silver
Rockwell 2" Diameter	950-28-ST	950-7S-ST	Brushed Steel

Counter-Height Legs - 34-1/2"

Description	Item No. Set of 4	Item No. Single Leg	Finish
Rockwell 2" Diameter	950-34-02	950-8S-02	Black Matte
Rockwell 2" Diameter	950-34-71	950-8S-71	Aluminum Silver
Rockwell 2" Diameter	950-34-ST	950-8S-ST	Brushed Steel

960 ROCKWELL ROUND LEGS

- 2-3/8" (60mm) diameter
- Made of Steel
- Table, counter and bar heights available
- Quick Install 4-9/16" (116mm) square mounting plate with M10 threaded bolt for quick attachment to the leg
- 1-1/8" adjustable foot
- 220 lbs. weight capacity per leg
- Screws are included
- Can be custom cut down to size
- Custom powder coat colors are available
- Sold in Sets of 4 and Single legs



Mounting Bracket



Adjustable Foot



Chrome

Table-Height Legs - 28"

Description	Item No. Set of 4	Item No. Single Leg	Finish
Rockwell 2 3/8" Diameter	960-28-02	960-7S-02	Black Matte
Rockwell 2 3/8" Diameter	960-28-71	960-7S-71	Aluminum Silver
Rockwell 2 3/8" Diameter	960-28-C1	960-7S-C1	Chrome
Rockwell 2 3/8" Diameter	960-28-ST	960-7S-ST	Brushed Steel

Counter-Height Legs - 34-1/2"

Description	Item No. Set of 4	Item No. Single Leg	Finish
Rockwell 2 3/8" Diameter	960-34-02	960-8S-02	Black Matte
Rockwell 2 3/8" Diameter	960-34-71	960-8S-71	Aluminum Silver
Rockwell 2 3/8" Diameter	960-34-C1	960-8S-C1	Chrome
Rockwell 2 3/8" Diameter	960-34-ST	960-8S-ST	Brushed Steel

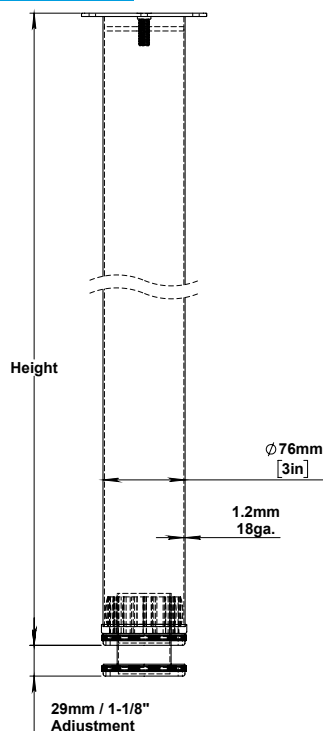
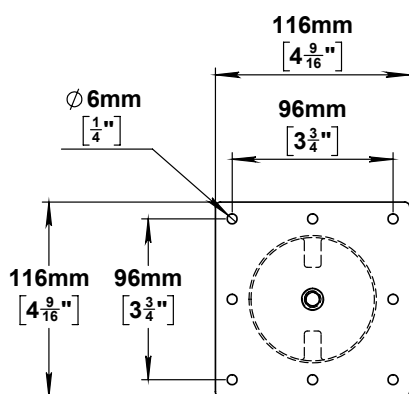
Bar-Height Legs - 40-3/4"

Description	Item No. Set of 4	Item No. Single Leg	Finish
Rockwell 2 3/8" Diameter	960-40-02	960-1S-02	Black Matte
Rockwell 2 3/8" Diameter	960-40-71	960-1S-71	Aluminum Silver
Rockwell 2 3/8" Diameter	960-40-C1	960-1S-C1	Chrome
Rockwell 2 3/8" Diameter	960-40-ST	960-1S-ST	Brushed Steel

Table Legs

976 ROCKWELL ROUND LEGS

- 3" (76mm) diameter
- Made of Steel
- Table, counter and bar heights available
- Quick Install 4-9/16" (116mm) square mounting plate with M10 threaded bolt for quick attachment to the leg
- 1-1/8" adjustable foot
- 220 lbs. weight capacity per leg
- Screws are included
- Can be custom cut down to size
- Custom powder coat colors are available
- Sold in Sets of 4 and Single legs



Mounting Bracket



Adjustable Foot

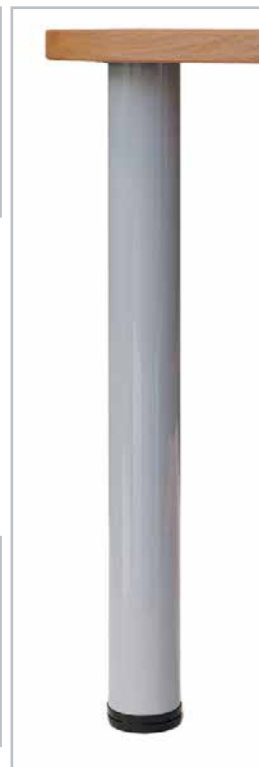


Table-Height Legs - 28"

Description	Item No. Set of 4	Item No. Single Leg	Finish
Rockwell 3" Diameter	976-28-02	976-7S-02	Black Matte
Rockwell 3" Diameter	976-28-71	976-7S-71	Aluminum Silver
Rockwell 3" Diameter	976-28-C1	976-7S-C1	Chrome
Rockwell 3" Diameter	976-28-ST	976-7S-ST	Brushed Steel

Counter-Height Legs - 34-1/2"

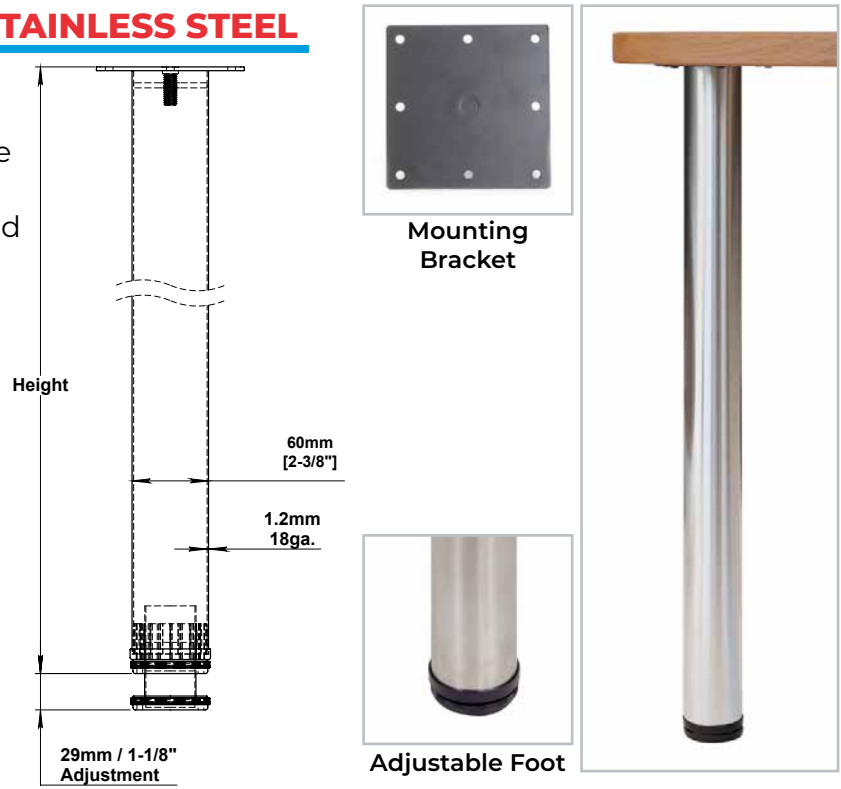
Description	Item No. Set of 4	Item No. Single Leg	Finish
Rockwell 3" Diameter	976-34-02	976-8S-02	Black Matte
Rockwell 3" Diameter	976-34-71	976-8S-71	Aluminum Silver
Rockwell 3" Diameter	976-34-C1	976-8S-C1	Chrome
Rockwell 3" Diameter	976-34-ST	976-8S-ST	Brushed Steel

Bar-Height Legs - 40-3/4"

Description	Item No. Set of 4	Item No. Single Leg	Finish
Rockwell 3" Diameter	976-40-02	976-1S-02	Black Matte
Rockwell 3" Diameter	976-40-71	976-1S-71	Aluminum Silver
Rockwell 3" Diameter	976-40-C1	976-1S-C1	Chrome
Rockwell 3" Diameter	976-40-ST	976-1S-ST	Brushed Steel

960 ROCKWELL ROUND LEGS | STAINLESS STEEL

- 2-3/8" (60mm) diameter
- Made of #304 Stainless Steel
- Table, counter and bar heights available
- Quick Install 4-9/16" (116mm) square top mounting plate with M10 threaded bolt for quick attachment to the leg
- 1-1/8" adjustable foot
- Optional decorative foot available
- 220 lbs. weight capacity per leg
- Screws are included
- Can be custom cut down to size
- Sold in Sets of 4 and Single legs



STAINLESS STEEL FOOT OPTION

Top Plate with Threaded Insert

Decorative Foot

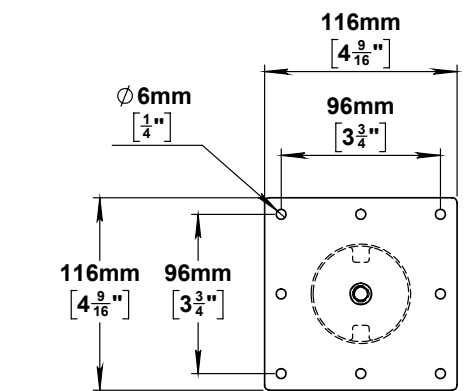


Table-Height Legs - 28"

Description	Item No. Set of 4	Item No. Single Leg	Finish
Rockwell 2 3/8" Diameter	960-28-SS	960-7S-SS	#304 Stainless Steel

Counter-Height Legs - 34-1/2"

Description	Item No. Set of 4	Item No. Single Leg	Finish
Rockwell 2 3/8" Diameter	960-34-SS	960-8S-SS	#304 Stainless Steel

Bar-Height Legs - 40-3/4"

Description	Item No. Set of 4	Item No. Single Leg	Finish
Rockwell 2 3/8" Diameter	960-40-SS	960-1S-SS	#304 Stainless Steel

Stainless Steel Foot Option

Description	Item No.
Decorative Foot and Insert	960-DECO-SS

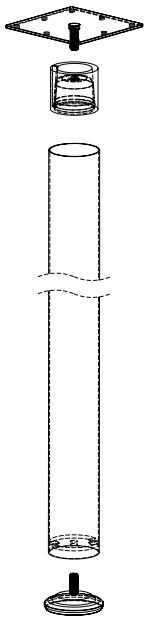
Table Legs

976 ROCKWELL LEGS ROUND | STAINLESS STEEL

- 3" (76mm) diameter
- Made of #304 Stainless Steel
- Table, counter and bar heights available
- Quick Install 4-9/16" (116mm) square mounting plate with M10 threaded bolt for quick attachment to the leg
- 1-1/8" adjustable foot
- Optional decorative foot available
- 220 lbs. weight capacity per leg
- Screws are included
- Can be custom cut down to size
- Sold in Sets of 4 and Single legs



STAINLESS STEEL FOOT OPTION



Top Plate with Threaded Insert



Decorative Foot

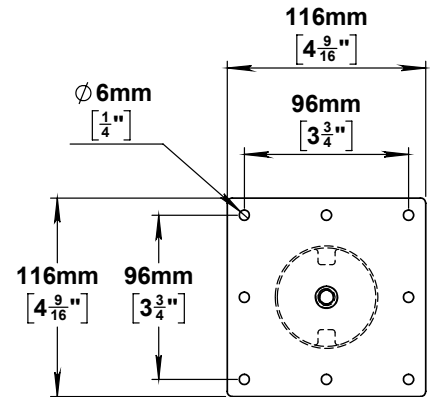


Table-Height Legs - 28"

Description	Item No. Set of 4	Item No. Single Leg	Finish
Rockwell 3" Diameter	976-28-SS	976-7S-SS	#304 Stainless Steel

Counter-Height Legs - 34-1/2"

Description	Item No. Set of 4	Item No. Single Leg	Finish
Rockwell 3" Diameter	976-34-SS	976-8S-SS	#304 Stainless Steel

Bar-Height Legs - 40-3/4"

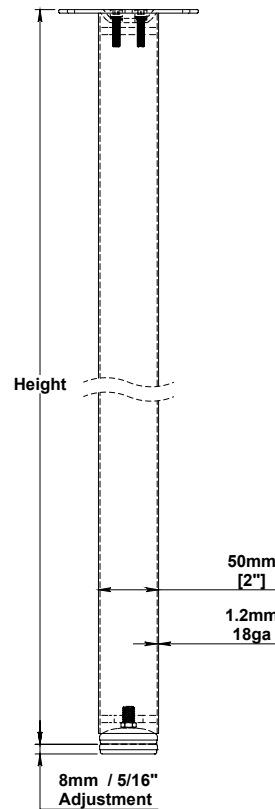
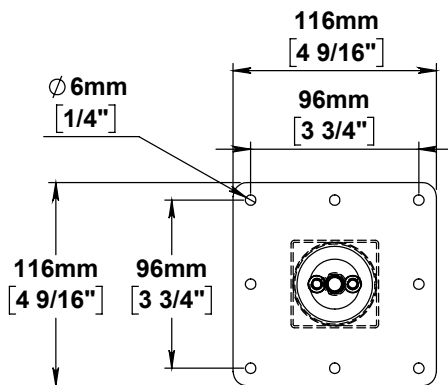
Description	Item No. Set of 4	Item No. Single Leg	Finish
Rockwell 3" Diameter	976-40-SS	976-1S-SS	#304 Stainless Steel

Stainless Steel Foot Option

Description	Item No.
Decorative Foot and Insert	976-DECO-SS

850 ROCKWELL SQUARE LEGS

- 2" (50mm) Square legs
- Available in Steel or #304 Stainless Steel
- Table, counter and bar heights available
- 4-9/16" (116mm) square mounting plate
- 5/16" adjustable foot
- 220 lbs. weight capacity per leg
- Screws are included
- Can be custom cut down to size
- Custom powder coat colors are available
- Sold in Sets of 4 and Single legs



Mounting Bracket



Adjustable Foot



Table-Height Legs - 28"

Description	Item No. Set of 4	Item No. Single Leg	Finish
Rockwell 2" Square	850-28-02	850-7S-02	Black Matte
Rockwell 2" Square	850-28-ST	850-7S-ST	Brushed Steel
Rockwell 2" Square	850-28-SS	850-7S-SS	#304 Stainless Steel

Counter-Height Legs - 34-1/2"

Description	Item No. Set of 4	Item No. Single Leg	Finish
Rockwell 2" Square	850-34-02	850-8S-02	Black Matte
Rockwell 2" Square	850-34-ST	850-8S-ST	Brushed Steel
Rockwell 2" Square	850-34-SS	850-8S-SS	#304 Stainless Steel

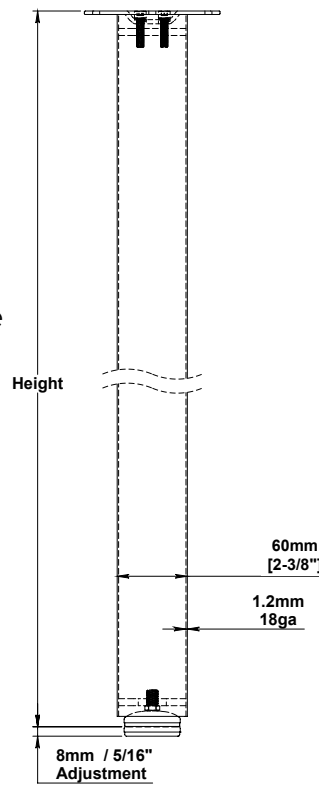
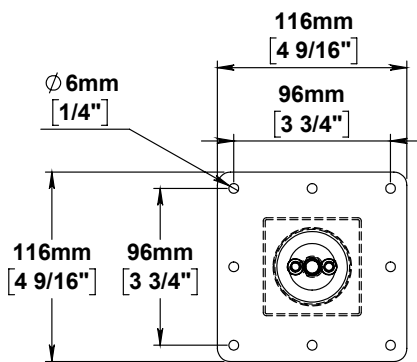
Bar-Height Legs - 40-3/4"

Description	Item No. Set of 4	Item No. Single Leg	Finish
Rockwell 2" Square	850-40-02	850-1S-02	Black Matte
Rockwell 2" Square	850-40-ST	850-1S-ST	Brushed Steel
Rockwell 2" Square	850-40-SS	850-1S-SS	#304 Stainless Steel

Table Legs

860 ROCKWELL SQUARE LEGS

- 2-3/8" (60mm) Square legs
- Available in Steel or #304 Stainless Steel
- Table, counter and bar heights available
- 4-9/16" (116mm) square mounting plate
- 5/16" adjustable foot
- 220 lbs. weight capacity per leg
- Screws are included
- Can be custom cut down to size
- Custom powder coat colors are available
- Sold in Sets of 4 and Single legs



Mounting Bracket



Adjustable Foot



Table-Height Legs - 28"

Description	Item No. Set of 4	Item No. Single Leg	Finish
Rockwell 2 3/8" Square	860-28-02	860-7S-02	Black Matte
Rockwell 2 3/8" Square	860-28-ST	860-7S-ST	Brushed Steel
Rockwell 2 3/8" Square	860-28-SS	860-7S-SS	#304 Stainless Steel

Counter-Height Legs - 34-1/2"

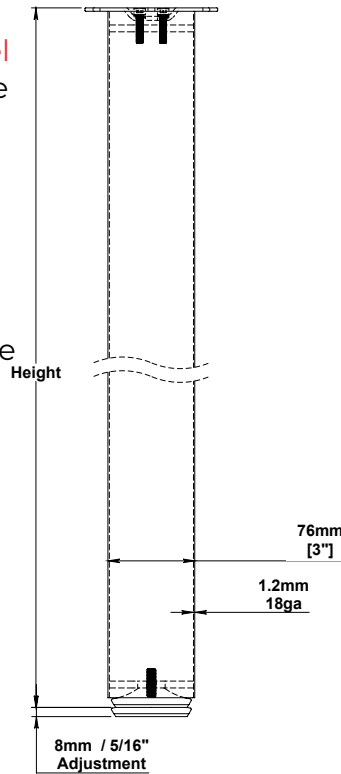
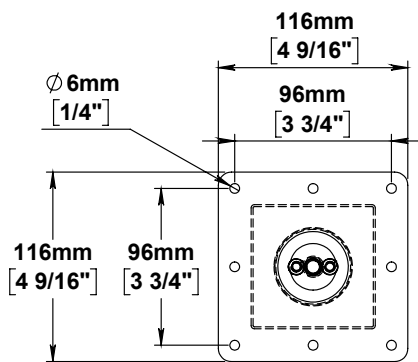
Description	Item No. Set of 4	Item No. Single Leg	Finish
Rockwell 2 3/8" Square	860-34-02	860-8S-02	Black Matte
Rockwell 2 3/8" Square	860-34-ST	860-8S-ST	Brushed Steel
Rockwell 2 3/8" Square	860-34-SS	860-8S-SS	#304 Stainless Steel

Bar-Height Legs - 40-3/4"

Description	Item No. Set of 4	Item No. Single Leg	Finish
Rockwell 2 3/8" Square	860-40-02	860-1S-02	Black Matte
Rockwell 2 3/8" Square	860-40-ST	860-1S-ST	Brushed Steel
Rockwell 2 3/8" Square	860-40-SS	860-1S-SS	#304 Stainless Steel

876 ROCKWELL SQUARE LEGS

- 3" (76mm) Square legs
- Available in Steel or #304 Stainless Steel
- Table, counter and bar heights available
- 4-9/16" (116mm) square mounting plate
- 5/16" adjustable foot
- 220 lbs. weight capacity per leg
- Screws are included
- Can be custom cut down to size
Except 880 Legs
- Custom powder coat colors are available
- Sold in Sets of 4 and Single legs



Mounting Bracket



Adjustable Foot



Table-Height Legs - 28"

Description	Item No. Set of 4	Item No. Single Leg	Finish
Rockwell 3" Square	876-28-02	876-7S-02	Black Matte
Rockwell 3" Square	876-28-ST	876-7S-ST	Brushed Steel
Rockwell 3 1/8" Square	880-28-SS	880-7S-SS	#304 Stainless Steel

Counter-Height Legs - 34-1/2"

Description	Item No. Set of 4	Item No. Single Leg	Finish
Rockwell 3" Square	876-34-02	876-8S-02	Black Matte
Rockwell 3" Square	876-34-ST	876-8S-ST	Brushed Steel
Rockwell 3 1/8" Square	880-34-SS	880-8S-SS	#304 Stainless Steel

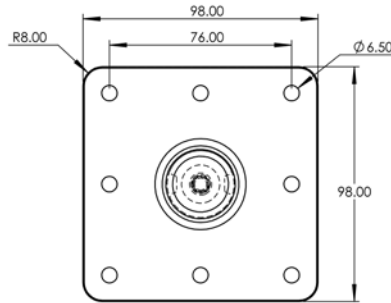
Bar-Height Legs - 40-3/4"

Description	Item No. Set of 4	Item No. Single Leg	Finish
Rockwell 3" Square	876-40-02	876-1S-02	Black Matte
Rockwell 3" Square	876-40-ST	876-1S-ST	Brushed Steel
Rockwell 3 1/8" Square	880-40-SS	880-1S-SS	#304 Stainless Steel

Table Legs

932 PIN LEGS

- 1-1/4" (32mm) Round pin leg
- Table height - 28-3/8"
- 3-7/8" Fully welded square top plate
- 3/4" adjustable foot
- 220 lbs. weight capacity per leg
- Screws are included
- Can be used as a support leg for the PMI cantilevers **CA1621** & **C1633**
- Sold in Singles only



Adjustable Foot



Table-Height Legs - 28-3/8"

Description	Item No. Single Leg	Finish
Pin Leg	932-7S-19	Matte Black





CONNYPLETOPCONNECTOR

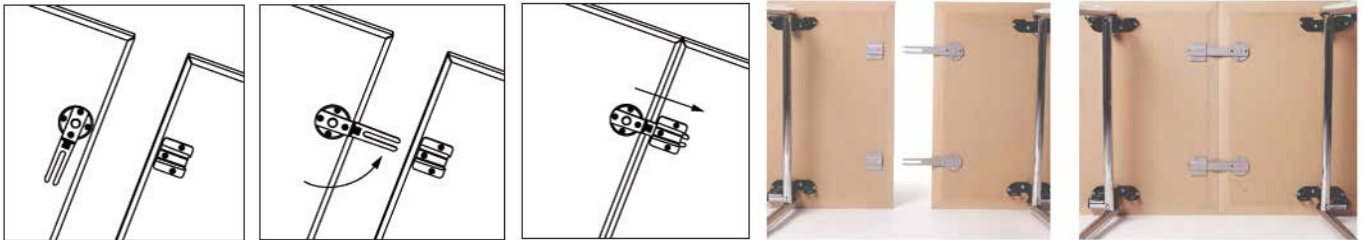
- Interlocking mechanism
- Lets you join 2 table tops or flat panels together with a flush seam
- 3-1/2" Diameter
- Set of 2 makes 1 complete connection
- Sold in sets
- Screws are not included



Description	Item Number	Diameter	Finish	Packed
Conny Table Top Connector	812-02-NY	3-1/2"	Zinc Die-Cast	1 Complete Set

CLICK CATCH TABLE TOP CONNECTOR

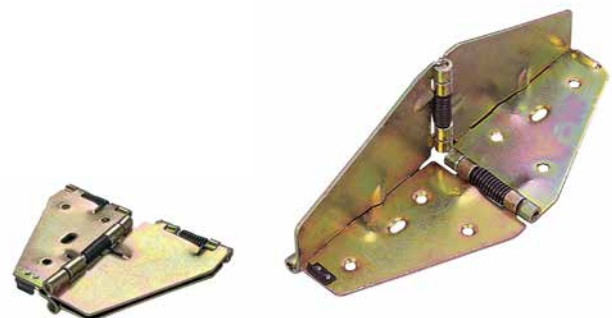
- Interlocking mechanism.
- Lets you join 2 table tops or flat panels together with a flush seam
- Bracket can be sold separately to use in multiple connecting positions



Description	Item Number	Diameter	Finish	Packed
Click Catch Table Top Connector (Latch & Bracket)	02.2403.140	5-7/8" (L= 150mm)	Zinc Plated	1 Each
Click Catch Attachment (Bracket Only)	02.2403.130	-	-	1 Each

FLIP-FLOP TABLE TOP HINGE

- Used to support a table leaf in the horizontal position
- Strong spring assists to lift and lock leaf in level position with table top
- Locks leaf underneath when not in use
- Converts square table to round table
- Packed 1 per box
- Screws not included
- **CAUTION** when handling to avoid finger injury. Hinge is under constant spring tension



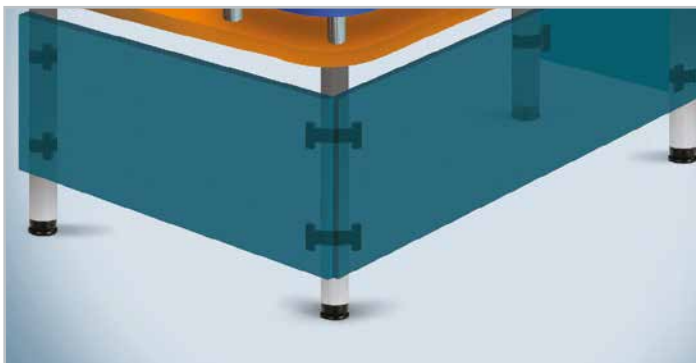
Description	Item Number	Length	Finish	Packed
Flip-Flop Table Hinge	813-85-02	7-1/2"	Steel	1 Each

MODESTY PANEL CLIPS

- Complete hardware to attach modesty panel to steel legs
- For 2-3/8" (60mm) legs
- Kit includes: 4 connectors, 4 belts, 4 hinges and 4 screws



Description	Item No.	Finish
Modesty Panel Clips	660-00-60	Black



FLEX CABLE MANAGEMENT

- Well suited for electrical adjustable tables
- Flexible height adjustment from 10" to 60"
- Easy installation
- All mounting hardware included

Description	Item No.	Finish
Vertical Cable Management	663-00-02	Black
Vertical Cable Management	663-00-71	Silver



Notes

Lined area for notes.

Conversion Chart

Fractions	Inches	mm	Fractions	Inches	mm
1/64	.0156	.3969	33/64	.5156	13.097
1/32	.0313	.7938	17/32	.5313	13.494
3/64	.0469	1.191	35/64	.5469	13.891
1/16	.0625	1.588	9/16	.5625	14.288
5/64	.0781	1.984	37/64	.5781	14.684
3/32	.0938	2.381	19/32	.5938	15.081
7/64	.1094	2.778	39/64	.6094	15.478
1/8	.125	3.175	5/8	.625	15.875
9/64	.1406	3.572	41/64	.6406	16.272
5/32	.1563	3.969	21/32	.6563	16.669
11/64	.1719	4.366	43/64	.6719	17.066
3/16	.1875	4.763	11/16	.6875	17.463
13/64	.2031	5.159	45/64	.7031	17.859
7/32	.2188	5.556	23/32	.7188	18.256
15/64	.2344	5.953	47/64	.7344	18.653
1/4	.25	6.350	3/4	.75	19.050
17/64	.2656	6.747	49/64	.7656	19.447
9/32	.2813	7.144	25/32	.7812	19.844
19/64	.2969	7.541	51/64	.7969	20.241
5/16	.3125	7.938	13/16	.8125	20.638
21/64	.3281	8.334	53/64	.8281	21.034
11/32	.3438	8.731	27/32	.8438	21.431
23/64	.3594	9.128	55/64	.8594	21.828
3/8	.375	9.525	7/8	.875	22.225
25/64	.3906	9.922	57/64	.8906	22.622
13/32	.4062	10.319	29/32	.9063	23.019
27/64	.4219	10.716	59/64	.9219	23.416
7/16	.4375	11.113	15/16	.9375	23.813
29/64	.4531	11.509	61/64	.9531	24.209
15/32	.4688	11.906	31/32	.9688	24.606
31/64	.4844	12.303	63/64	.9844	25.003
1/2	.5	12.700	1	1	25.400

Peter Meier Inc

PETER MEIER INC

CONTACT INFO

1255 South Park Dr.
Kernersville, NC 27284 USA
Tel. 336-996-7774
Fax 336-996-1812
Toll Free 800-222-6941
E-mail: info@petermeier.com
www.petermeier.com

